

OHIO SCIENTIFIC

product name/number **MODEL 470**
 SINGLE SIDED FLOPPY INTERFACE

date 27 JUL 1979

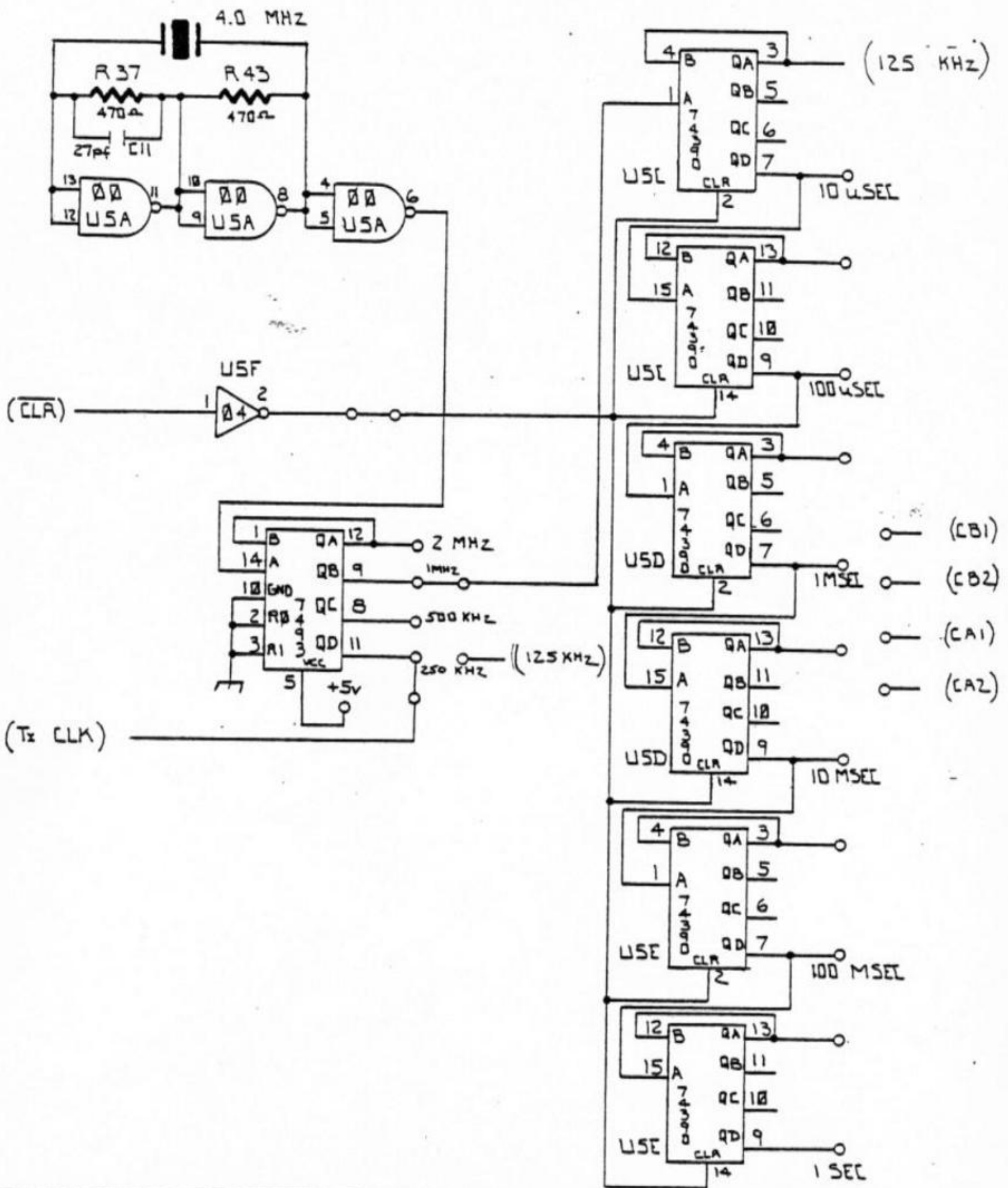
revision

page

status

sheet 1 of 5

DRAWN ~ J.L.K.



OHIO SCIENTIFIC

product name/number MODEL 470
SINGLE SIDED FLOPPY INTERFACE

date 27 JUL 1979

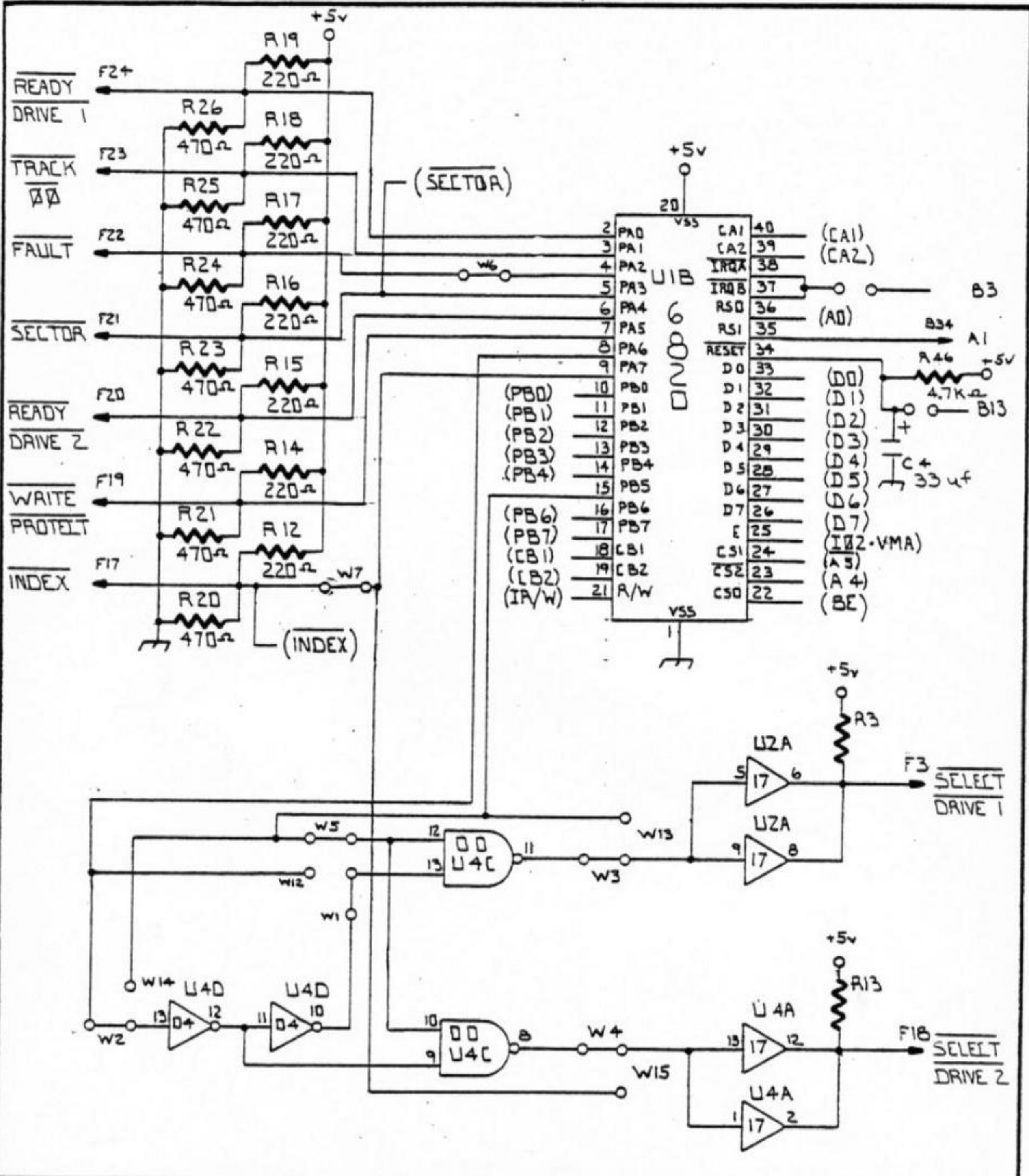
revision

page

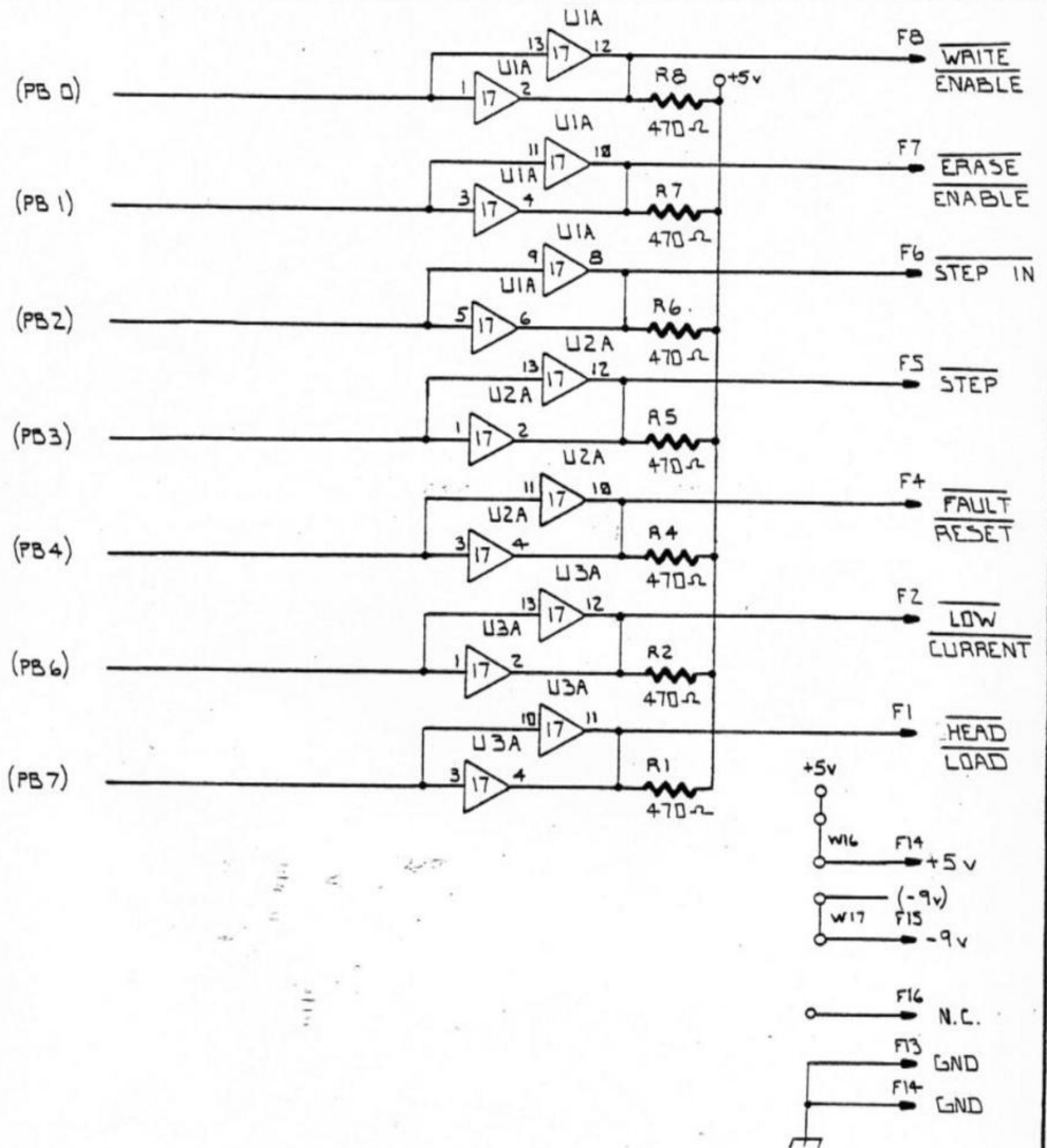
status

sheet 2 of 5

DRAWN ~ J.L.K.



OHIO SCIENTIFIC			product name/number MODEL 470	
date 27 JUL 1979			SINGLE SIDED FLOPPY INTERFACE	
revision	page	status	sheet 3 of 5	
DRAWN ~ J.L.K.				



OHIO SCIENTIFIC

product name/number MODEL 470
SINGLE SIDED FLOPPY INTERFACE

date 27 JUL 1979

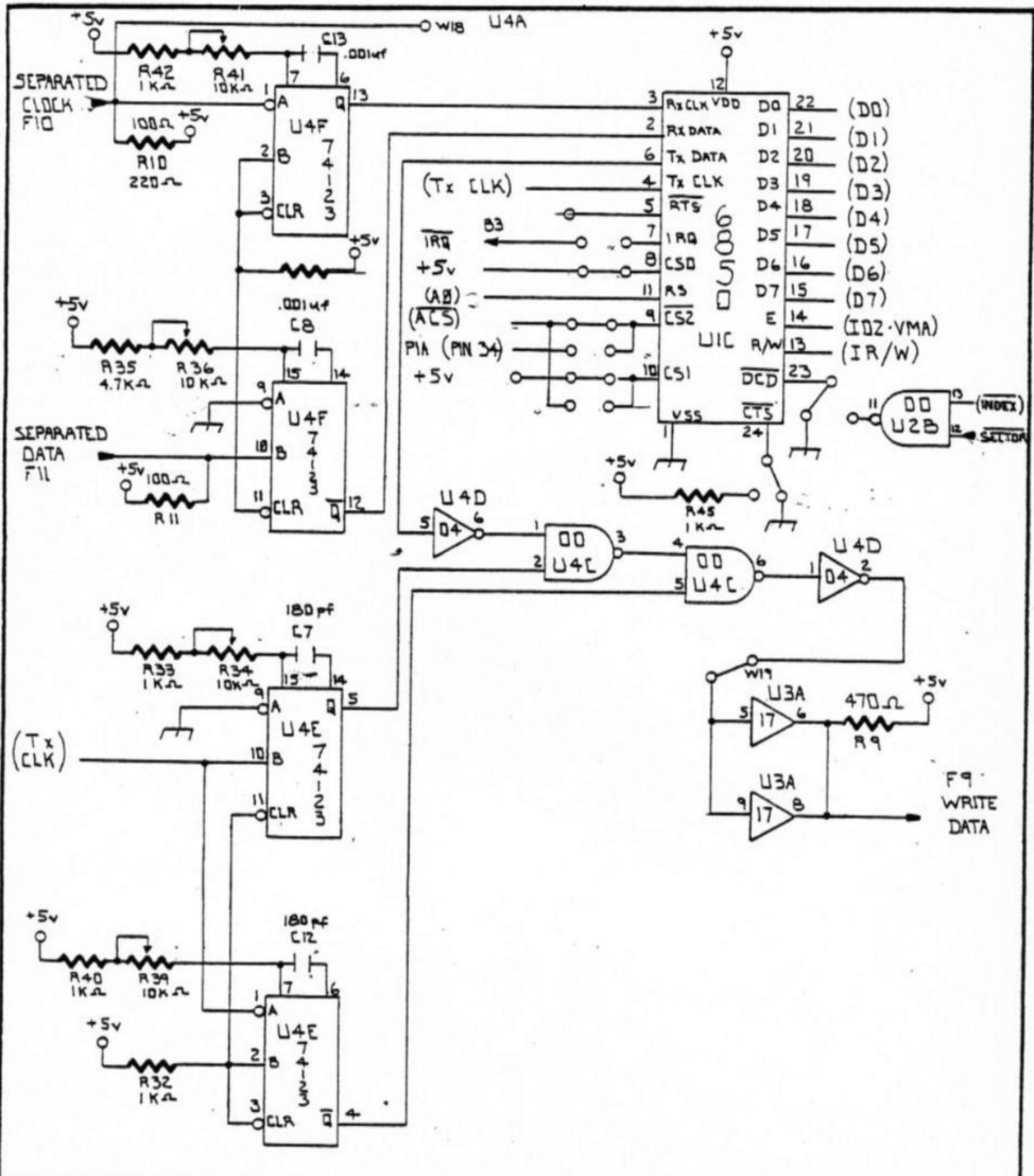
revision

page

status

sheet 4 of 5

DRAWN - J.L.K.



OHIO SCIENTIFIC

product name/number

MODEL 470

SINGLE SIDED FLOPPY INTERFACE

date 27 JUL 1979

revision

page

status

sheet 5 of 5

DRAWN ~ J.L.K.

① SINGLE SIDED FLOPPY INTERFACE ASSEMBLY DRAWING D1

051 470 REV B

