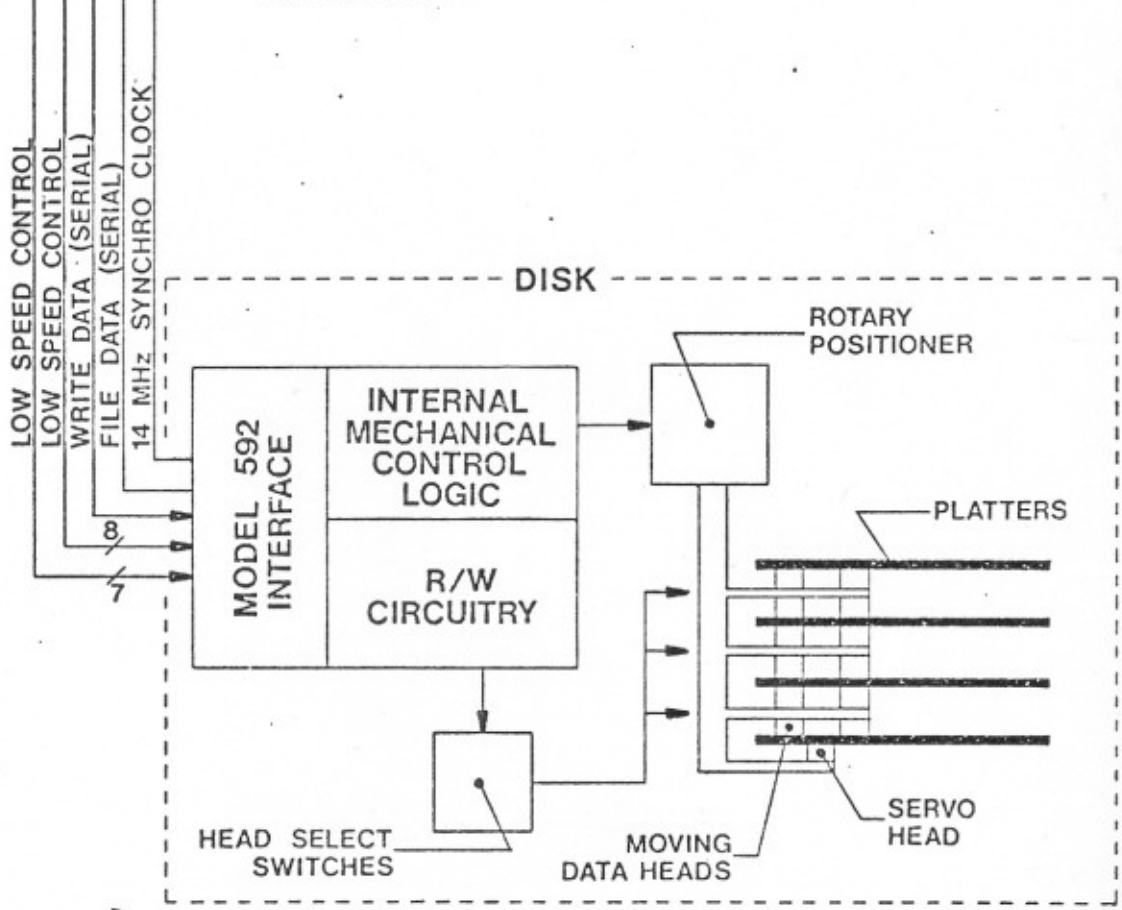
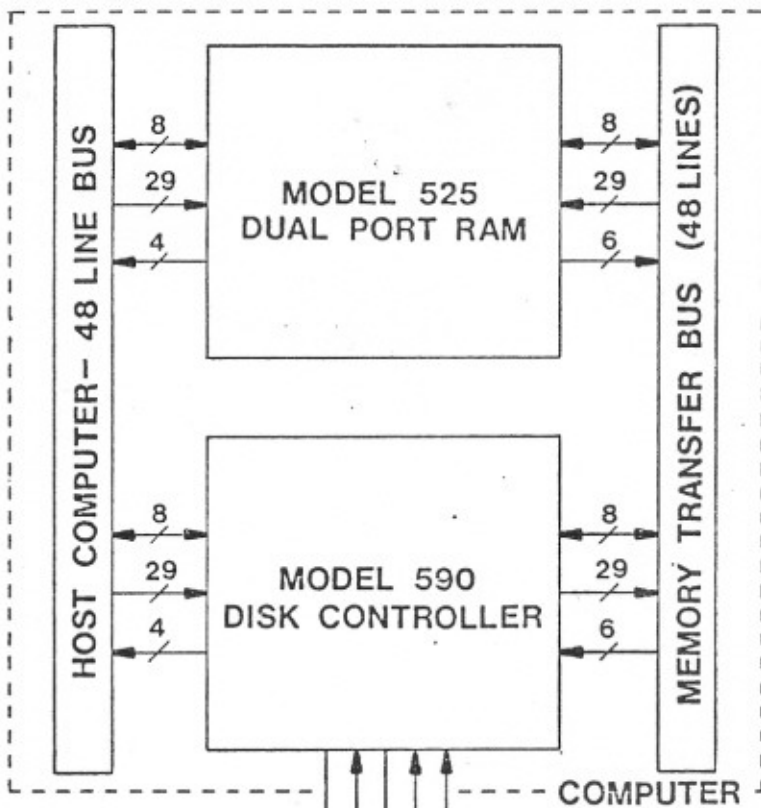


C-D74 HARD DISK SCHEMATICS

Model 590 - Controller Board

Model 592 - Interface Board

	22 AUG 79
REV. A	10 APR 78



(CONN J1)

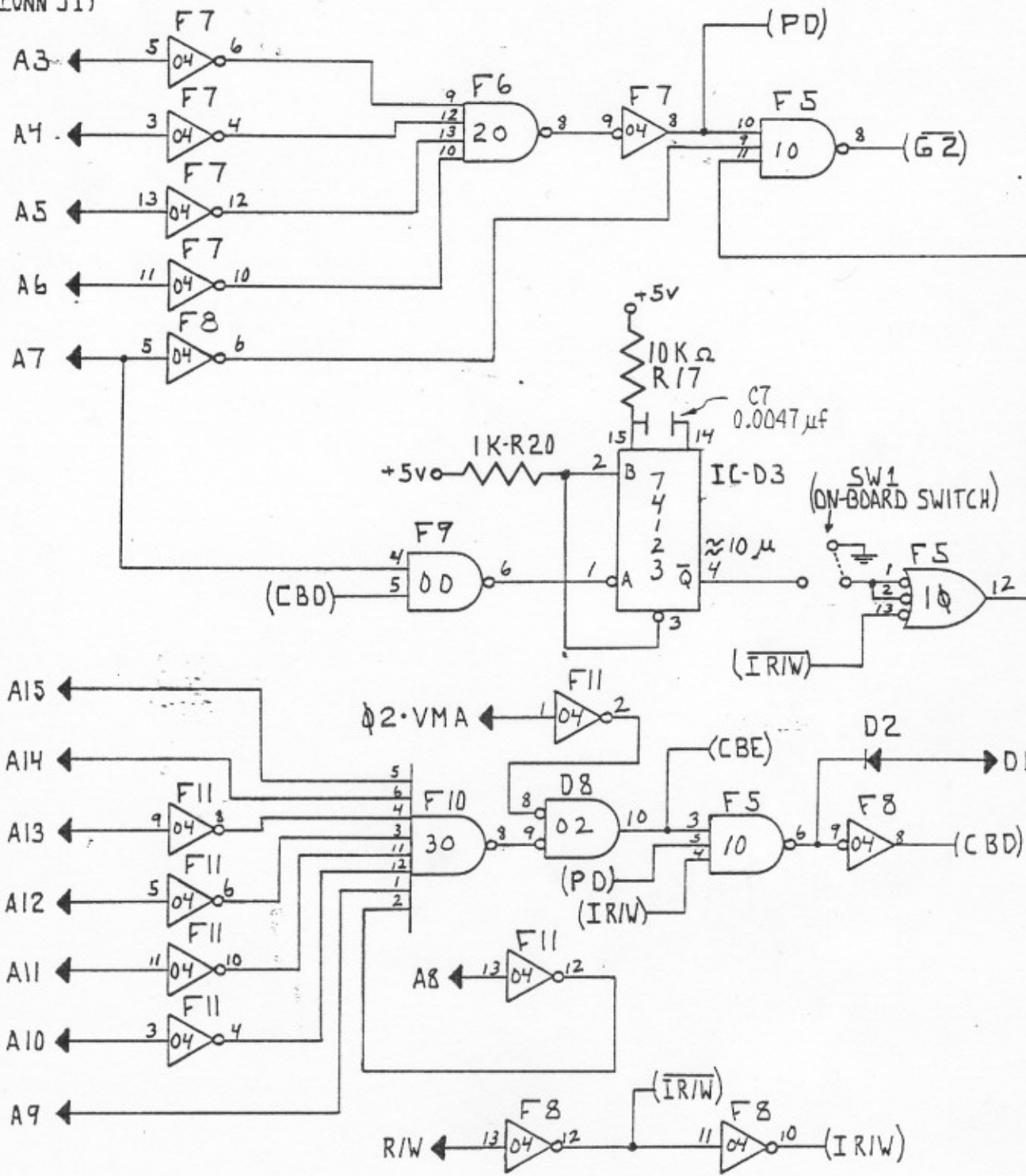


DIAGRAM I
590 BOARD
CONTROLLER

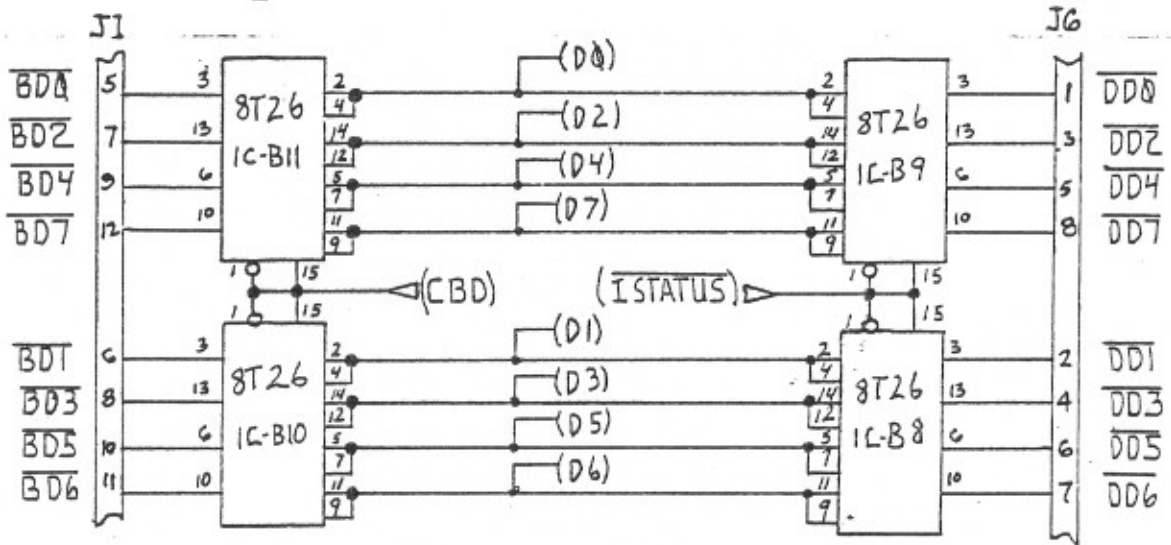
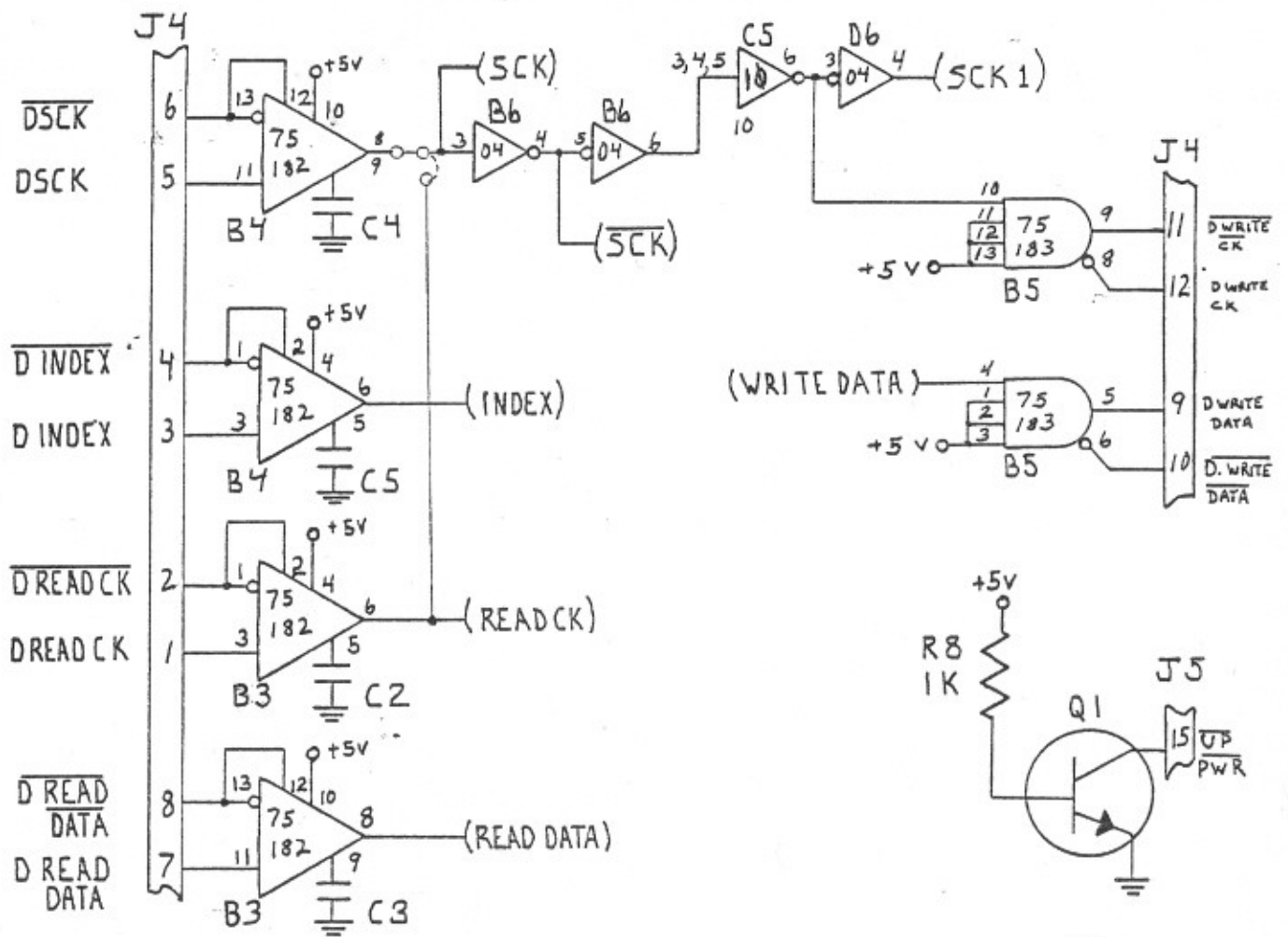
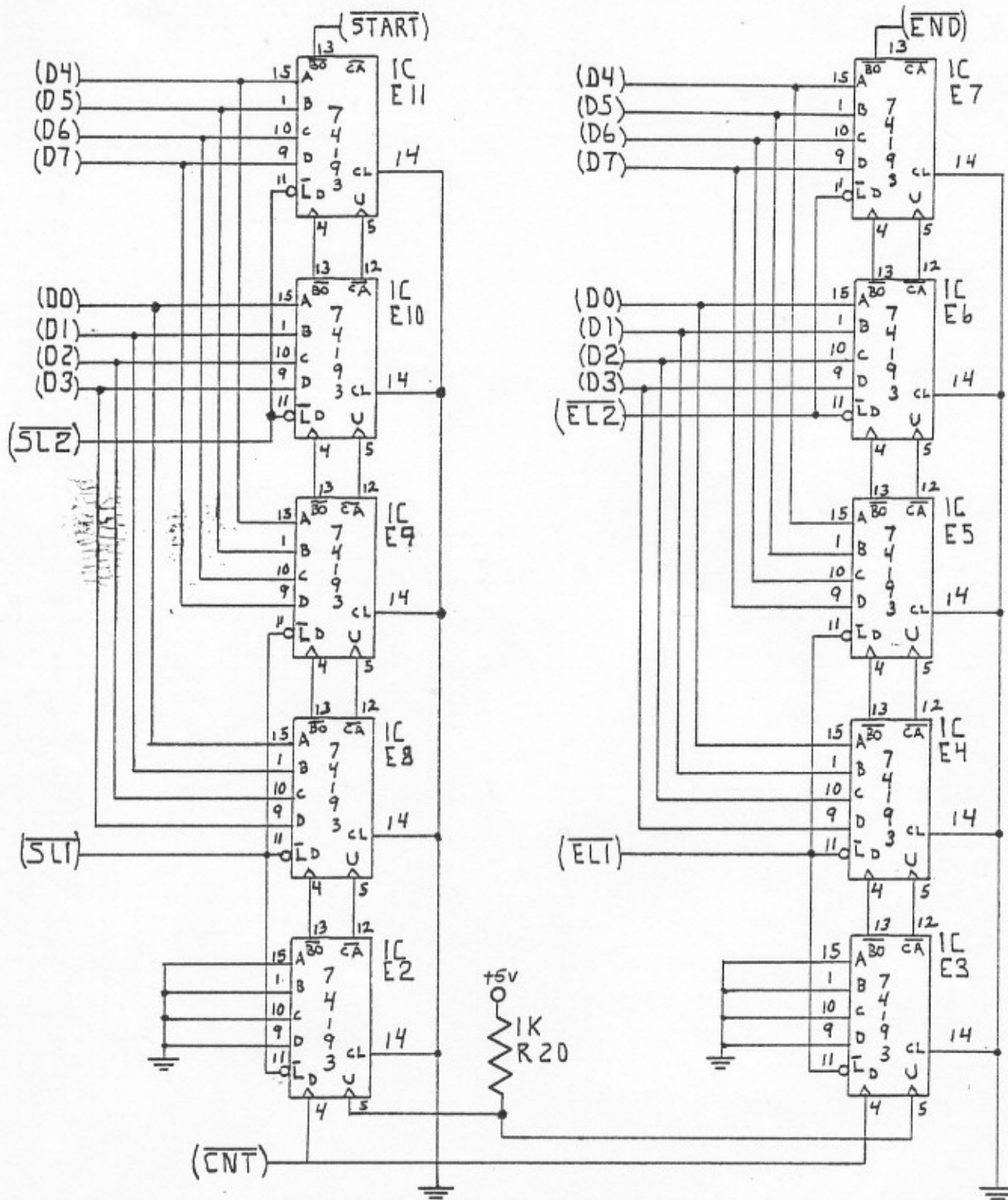


DIAGRAM 3
 590 BOARD
 CONTROLLER



NOTE: E2 - E10 MAY USE LS-193
E11 MUST BE STANDARD 74193

DIAGRAM 4
590 BOARD
CONTROLLER

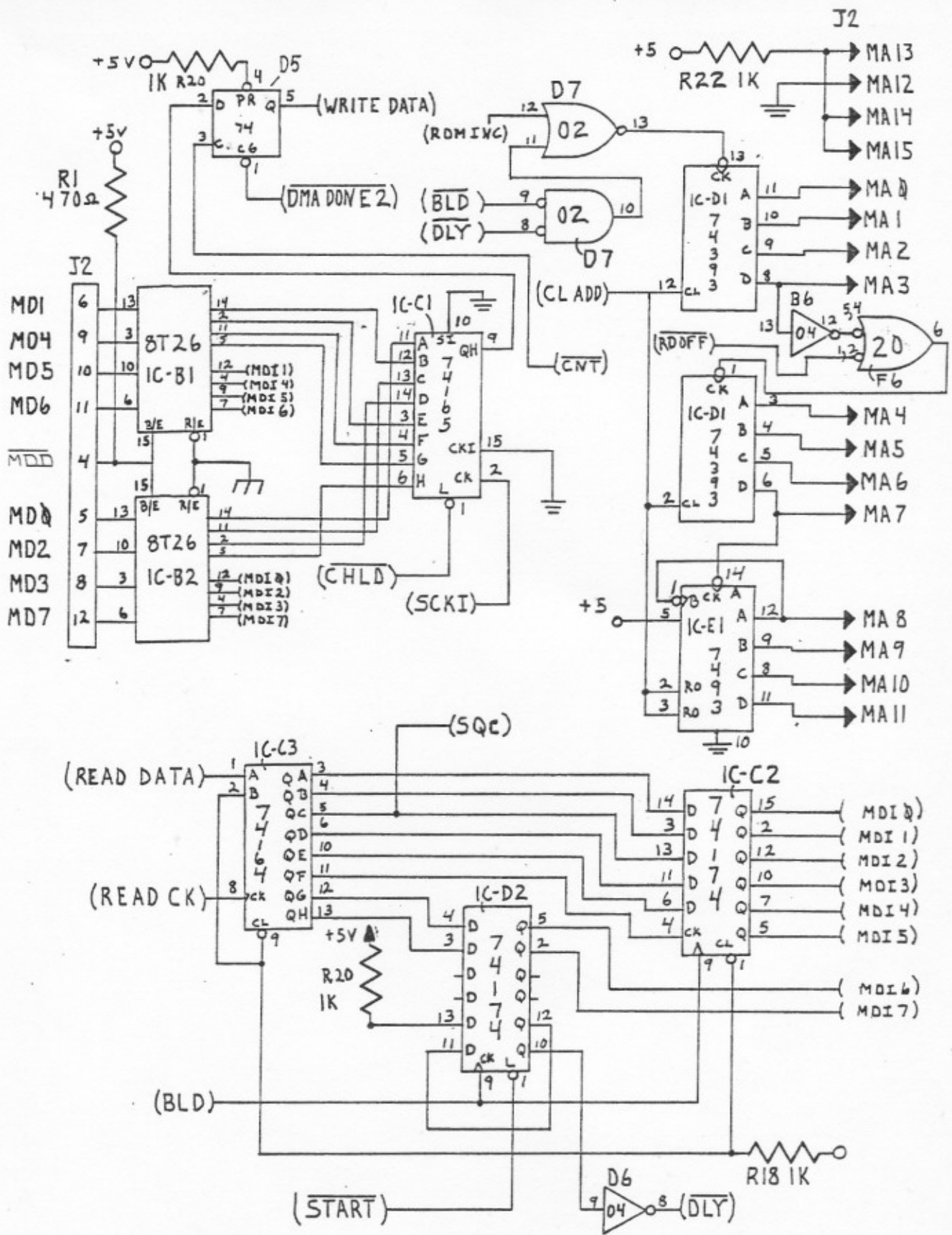


DIAGRAM 5
590 BOARD
CONTROLLER

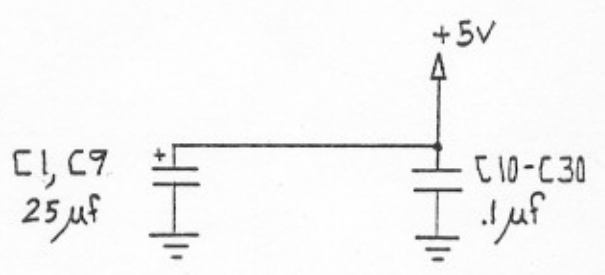
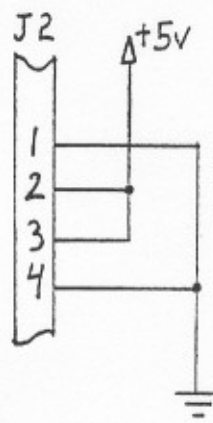
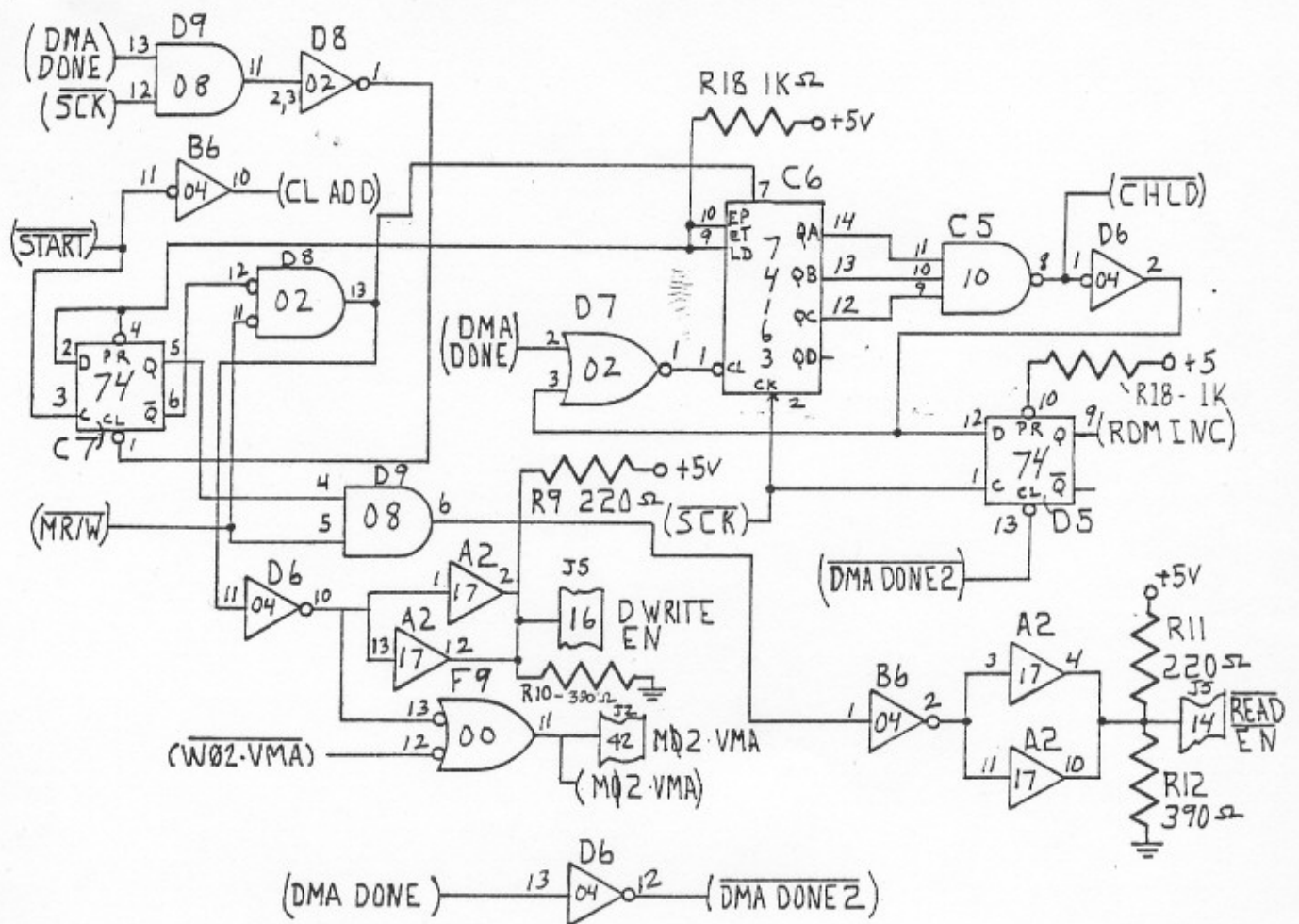
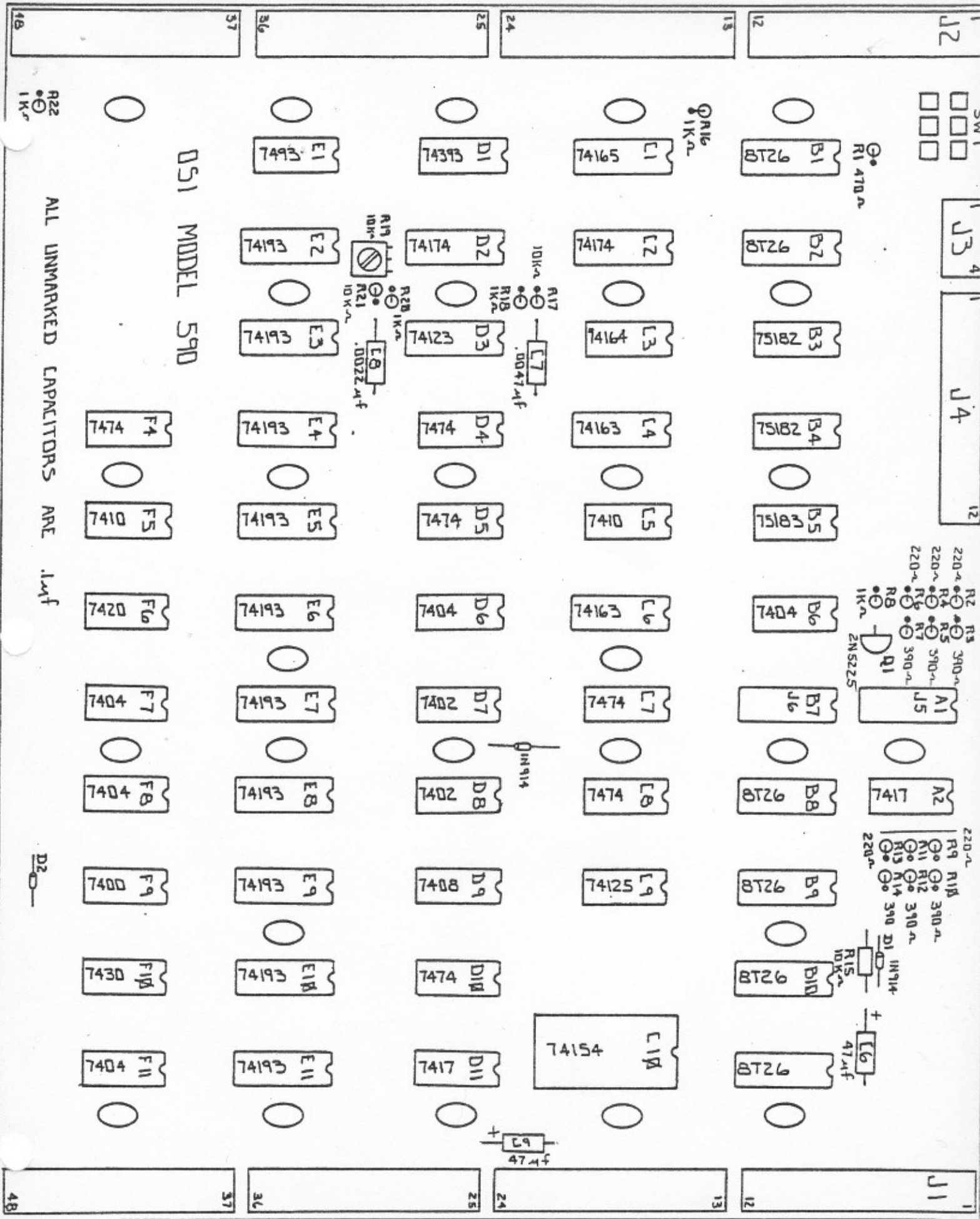


DIAGRAM 6
 590 BROAD
 CONTROLLER



ALL UNMARKED CAPACITORS ARE .1 μ f

DS1 MODEL 590

