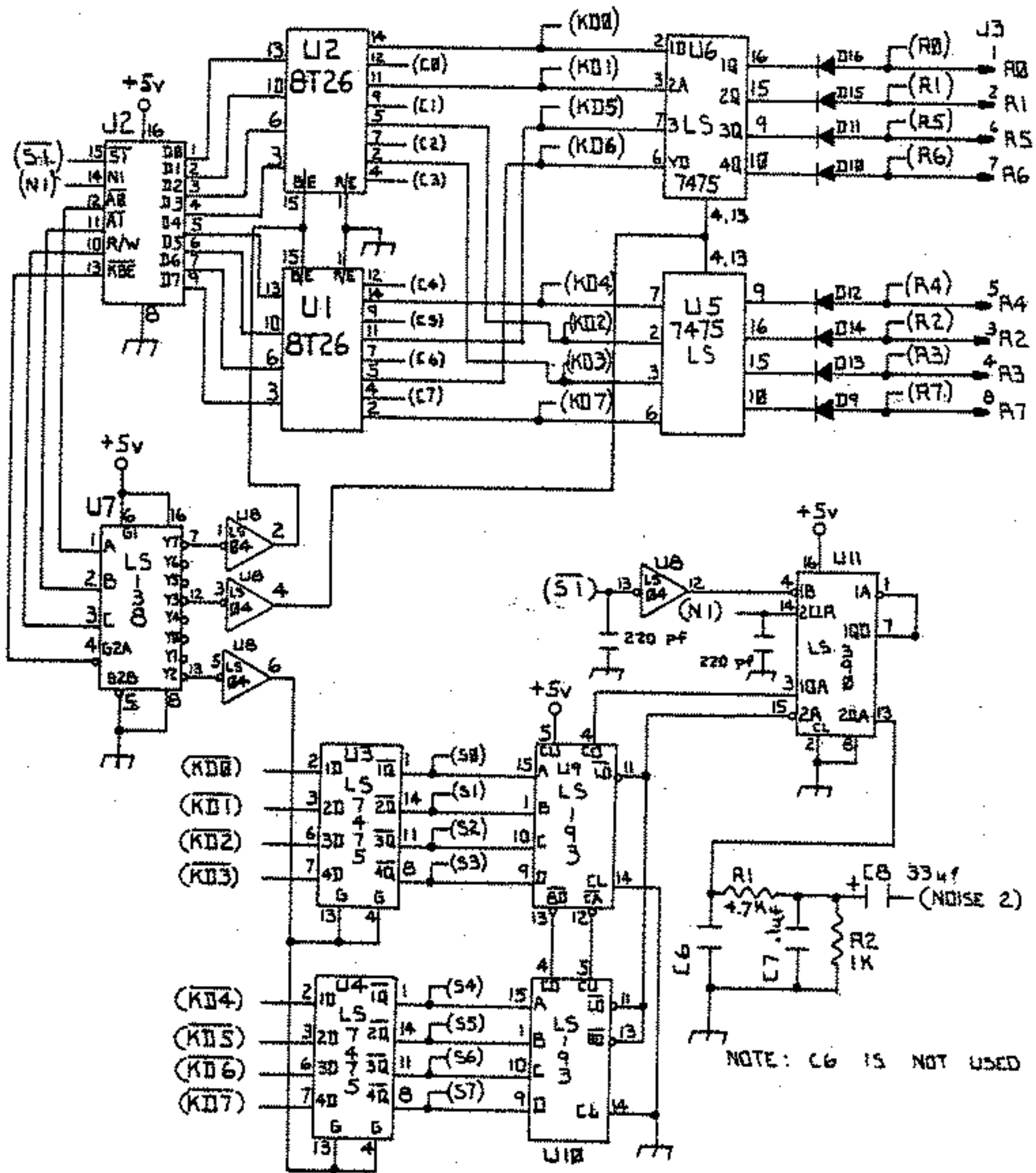


MODEL 542 REV B SCHEMATICS

REV B	15 AUG 1979



OHIO SCIENTIFIC

product name/number
MODEL 542 POLLED KEYBOARD

date 15 AUG 1979

revision

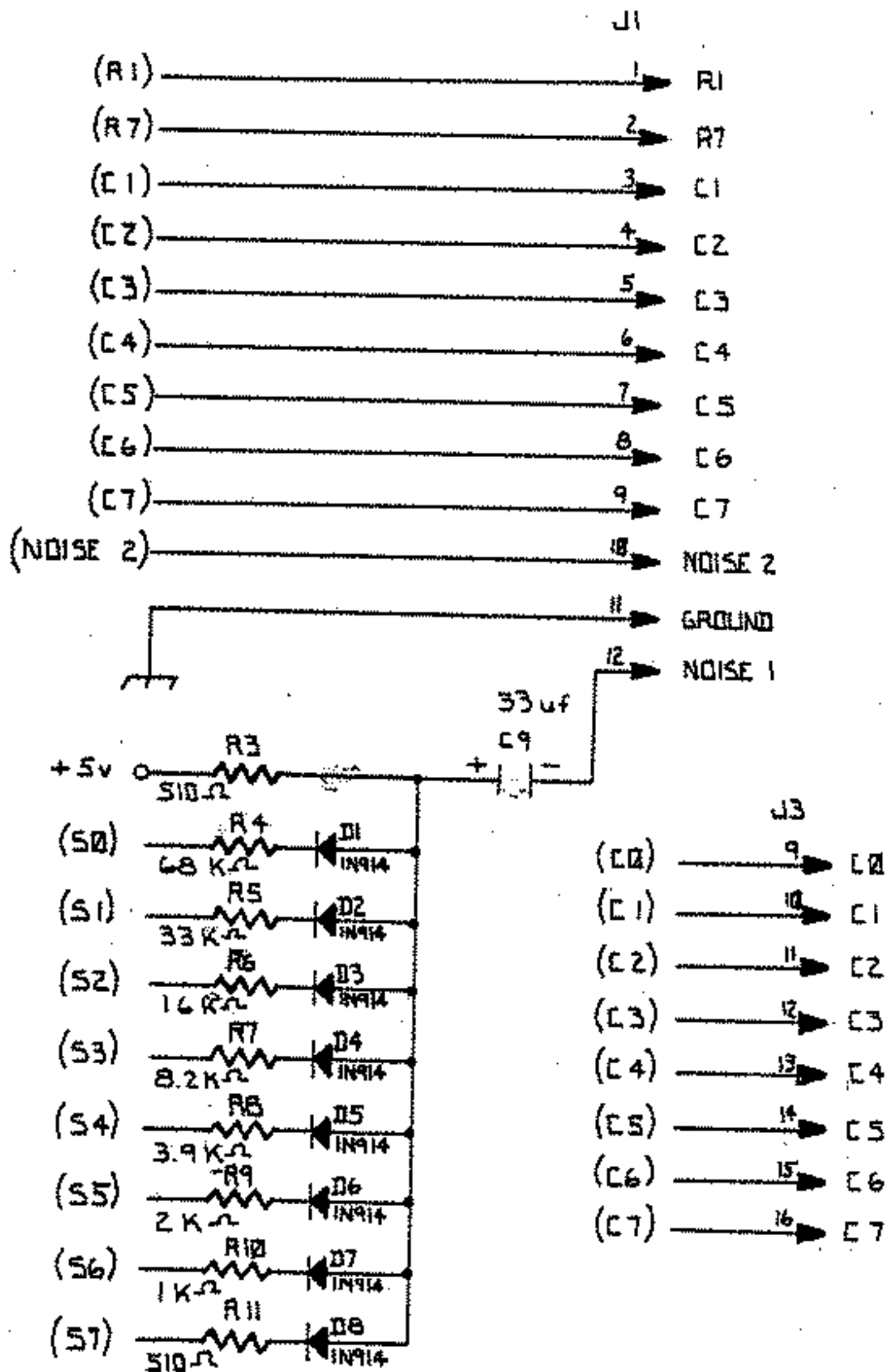
B

page

status

sheet 1 of 3

DRAWN ~ J.L.K.



OHIO SCIENTIFIC

product name/number
MODEL 542 REV B

date 15 AUG 1979

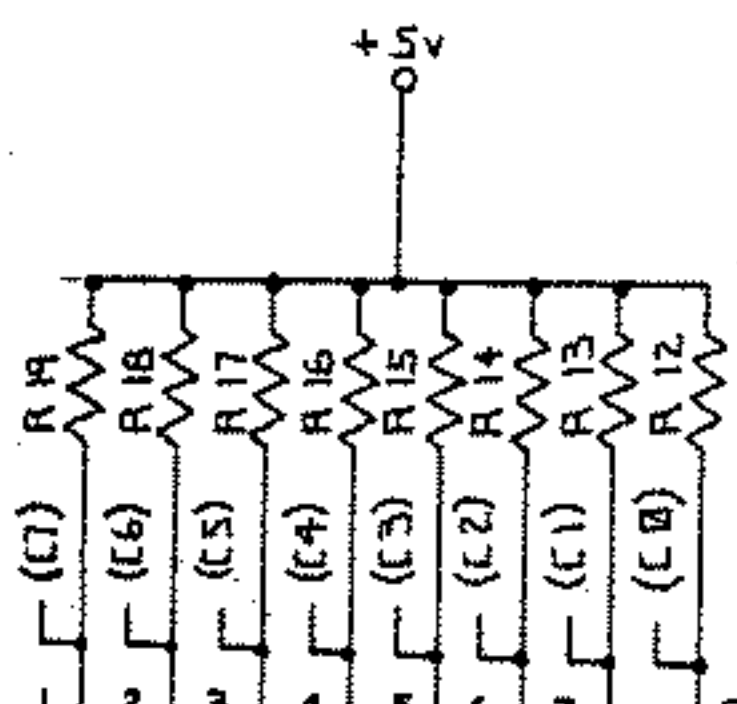
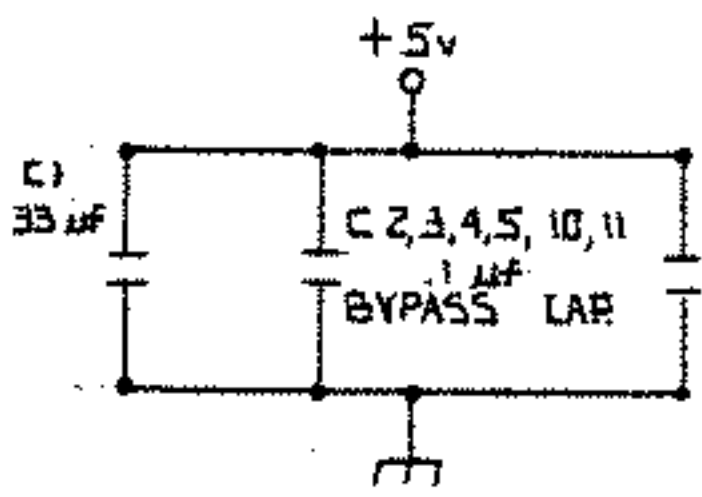
revision
B

page

status

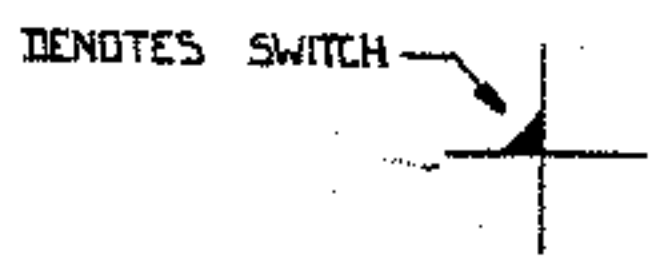
sheet 2 of 3

DRAWN ~ J.L.K.



ROW ADDRESS

(R7)	1	2	3	4	5	6	7	SINGLE PLAYER GAME KEYS	
(R6)	8	9	0	:	-	RUB OUT			
(R5)	.	L	O	LF	CR				
(R4)	W	E	R	T	Y	U	I		
(R3)	S	D	F	G	H	J	K		
(R2)	X	C	V	B	N	M	,		
(R1)	B	A	Z	SPACE	/	;	P	TWO PLAYER GAME KEYS	
(R0)	REPT	CTRL	ESC			L SHIFT	R SHIFT	SHIFT LOCK	CONTROL KEYS



NOTES:

- STANDARD 53 KEY LAYOUT EXCEPT:
 - *HERE IS* DELETED
 - *RUB OUT* AT *HERE IS* LOCATION
 - *SHIFT LOCK* AT *RUB OUT* LOCATION
 - *SHIFT* SEPERATELY DECIDED FOR *LEFT SHIFT* AND *RIGHT SHIFT.*

OHIO SCIENTIFIC

product name/number
MODEL 54Z KEYSWITCH LOCATIONS

date 15 AUG 1979	revision 5	page	status	sheet 3 of 3
DRAWN ~ J.L.K.				

J1



J2
16 PIN
CONNECTOR

BT26

BT26

7475

7475

7475

7475

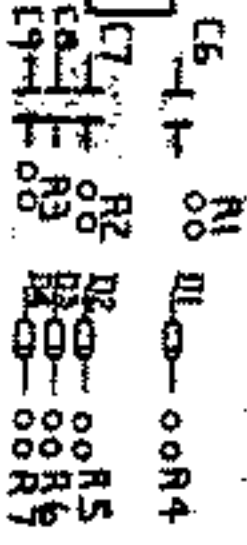
7413B

7484

74193

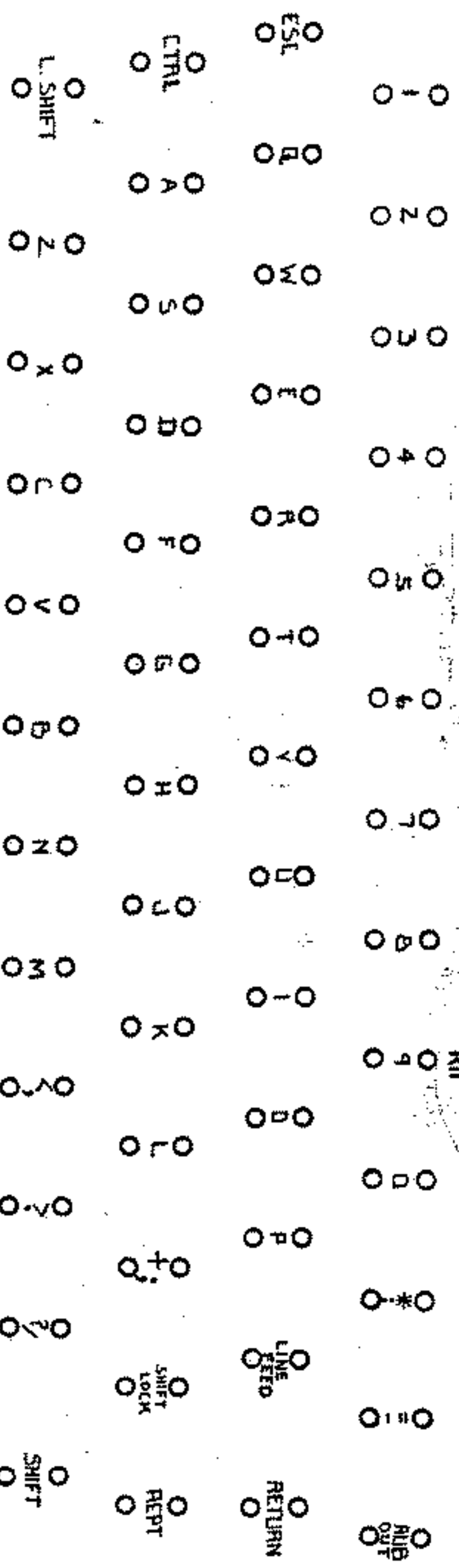
74193

7439B



J3
16 PIN
CONNECTOR

R12
R13
R14
R15
R16
R17
R18
R19



MODEL 5A2 REV B

SPACE

BREAK