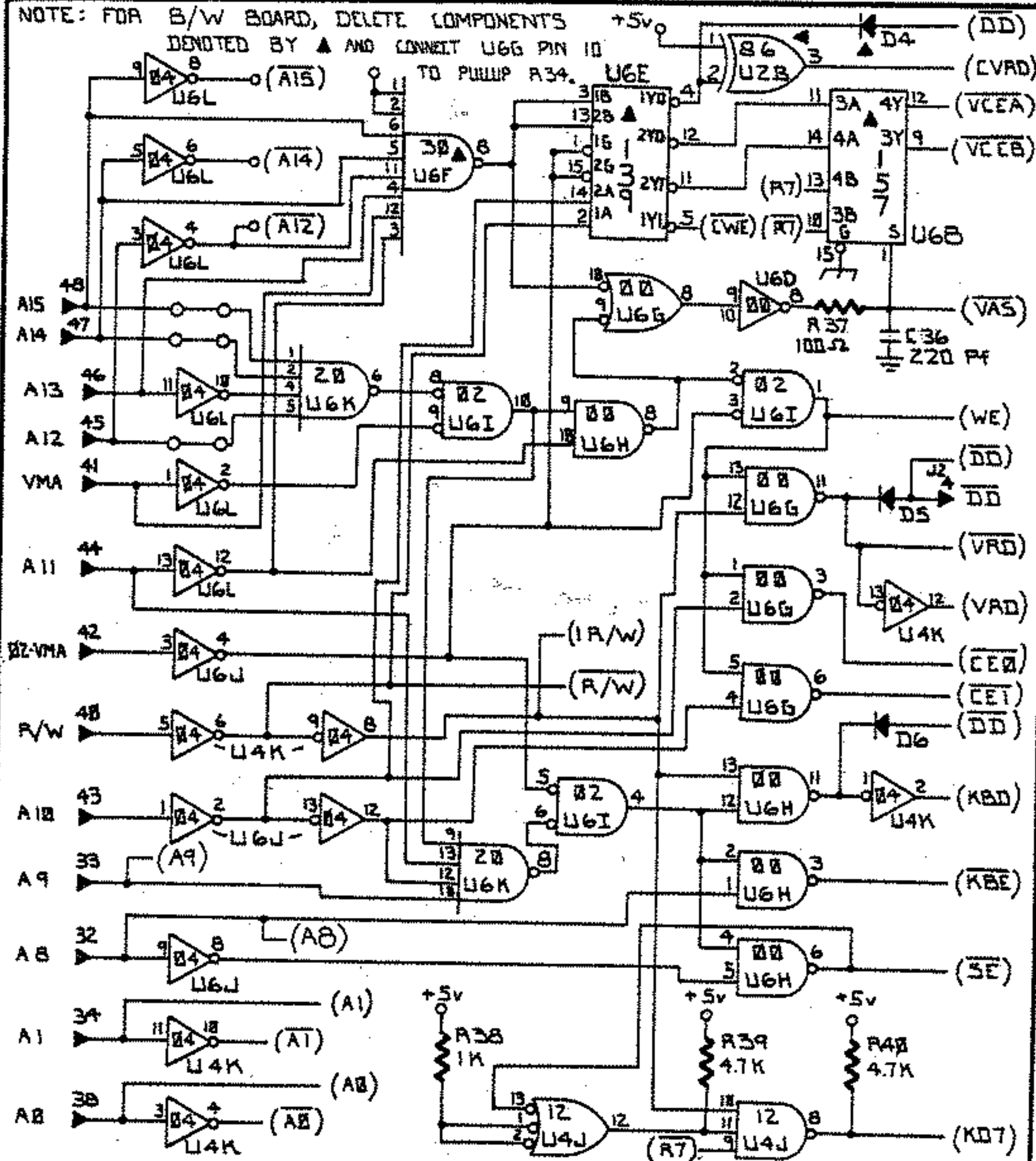


MODEL 540 REV. B-1 SCHEMATICS

REV B-1	15 AUG 1979

NOTE: FOR B/W BOARD, DELETE COMPONENTS
 DENOTED BY ▲ AND CONNECT U6G PIN 10
 TO PULLUP R34.



OHIO SCIENTIFIC

product name/number

MODEL 540 REV B-1

ADDRESS DECODER

date 15 AUG 1979

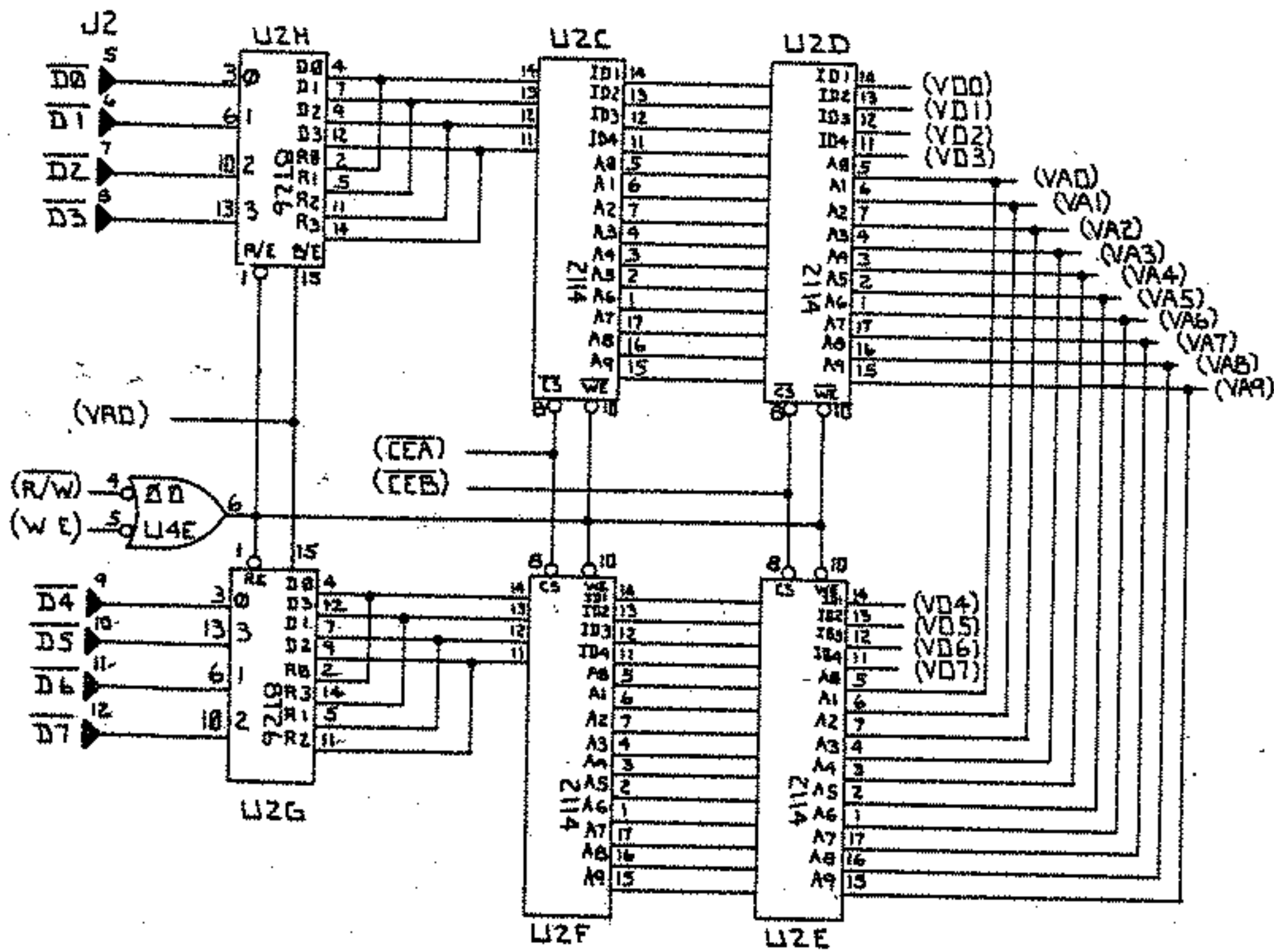
revision

page

status

sheet 1 of 8

DRAWN ~ J.L.K.



OHIO SCIENTIFIC

product name/number

MODEL 540 REV B-1
BLACK + WHITE MEMORY

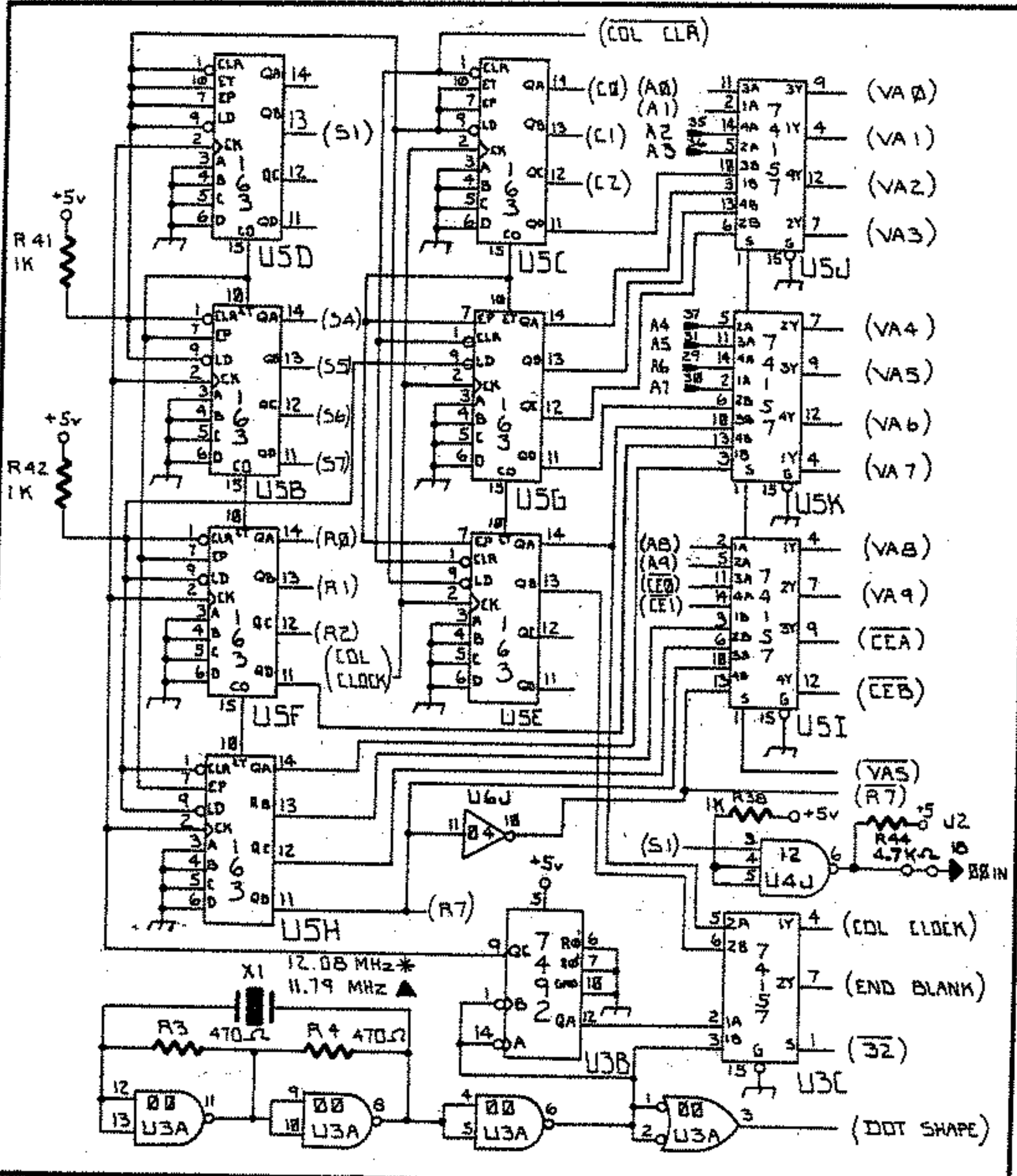
date 15 AUG 1979
DRAWN ~ J.L.K.

revision

page

status

sheet 2 of 8



OHIO SCIENTIFIC

product name/number
 MODEL 540 REV B-1
 DISPLAY COUNTERS

date 15 AUG. 1979
 DRAWN ~ J.L.K.

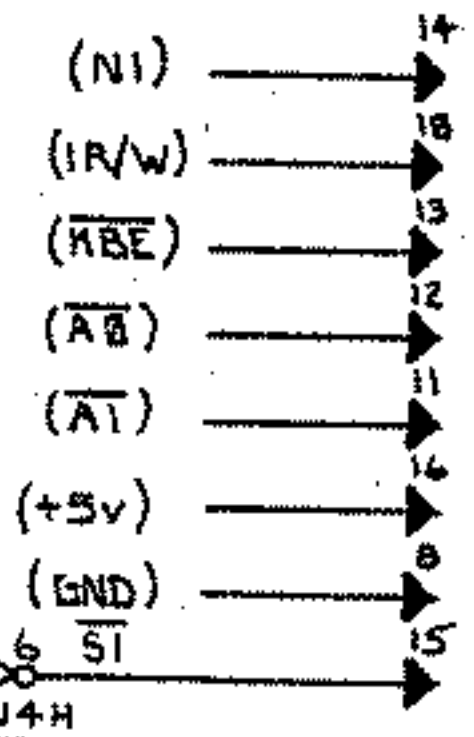
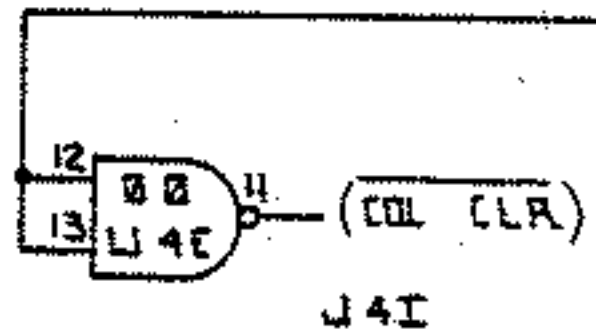
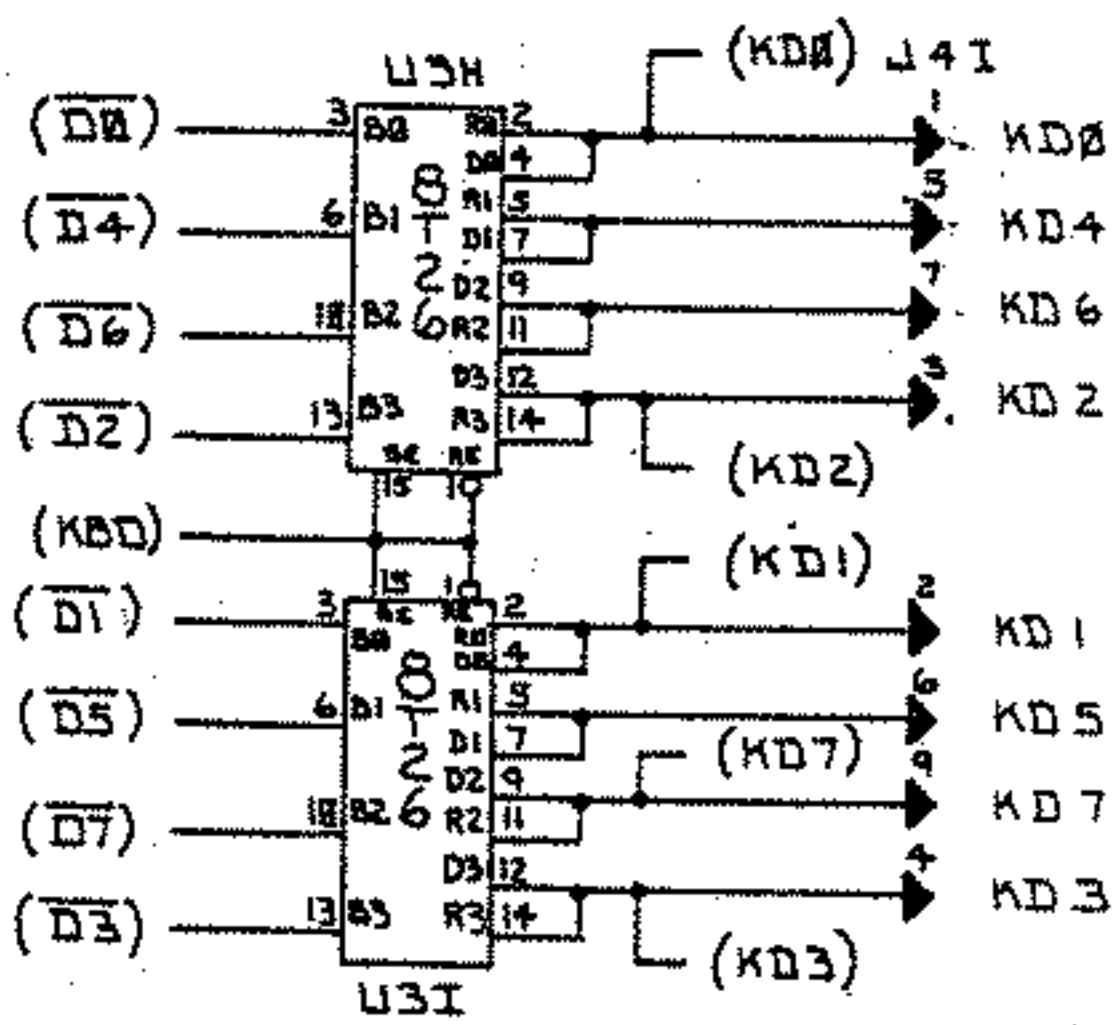
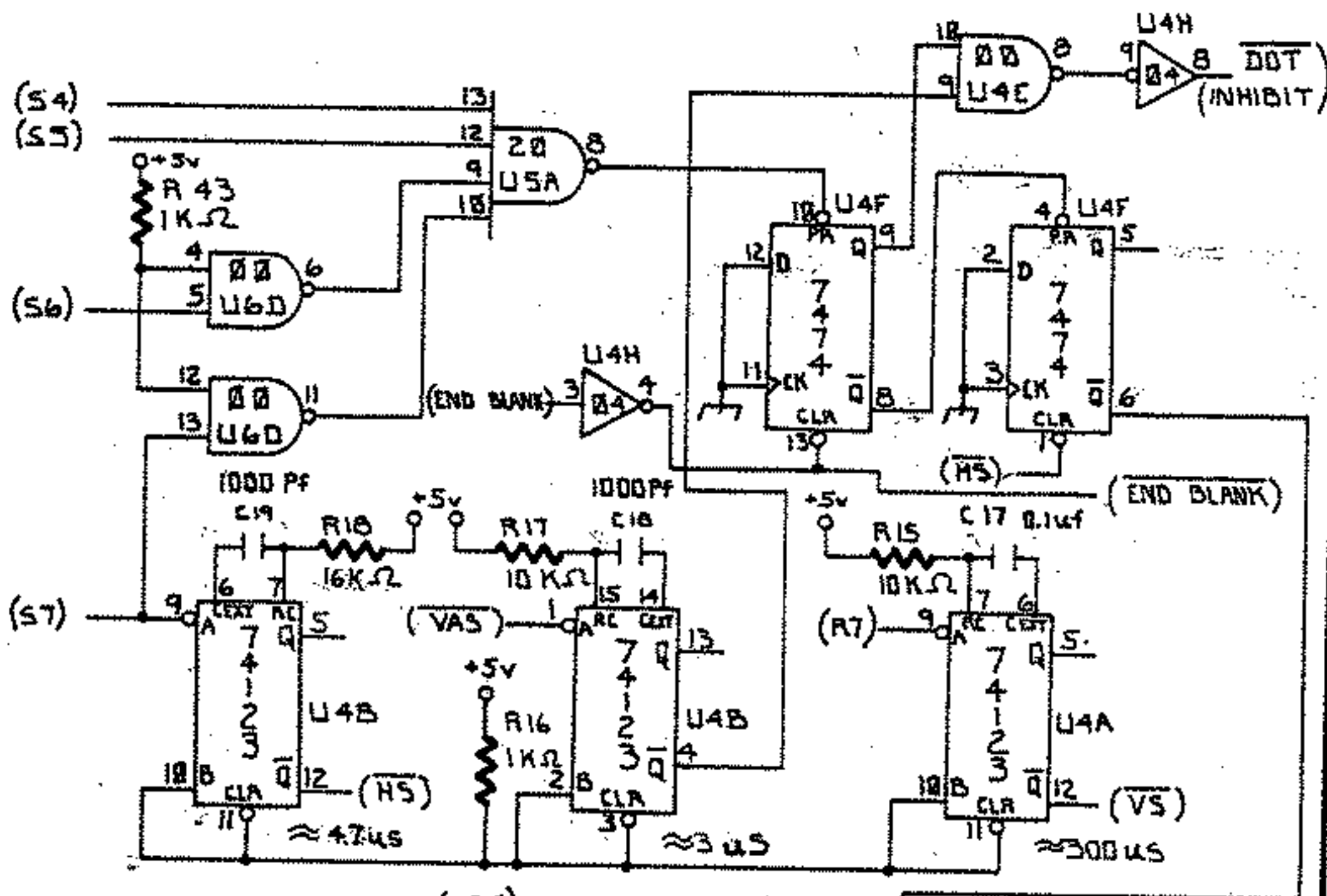
revision

page

status

sheet 3 of 8

▲ - FOR B/W BOARD ONLY
 * - FOR COLOR BOARD ONLY



OHIO SCIENTIFIC

product name/number

MODEL 540 REV B-1

DISPLAY TIMING + KEYBOARD BUFFER

date 15 AUG. 1979

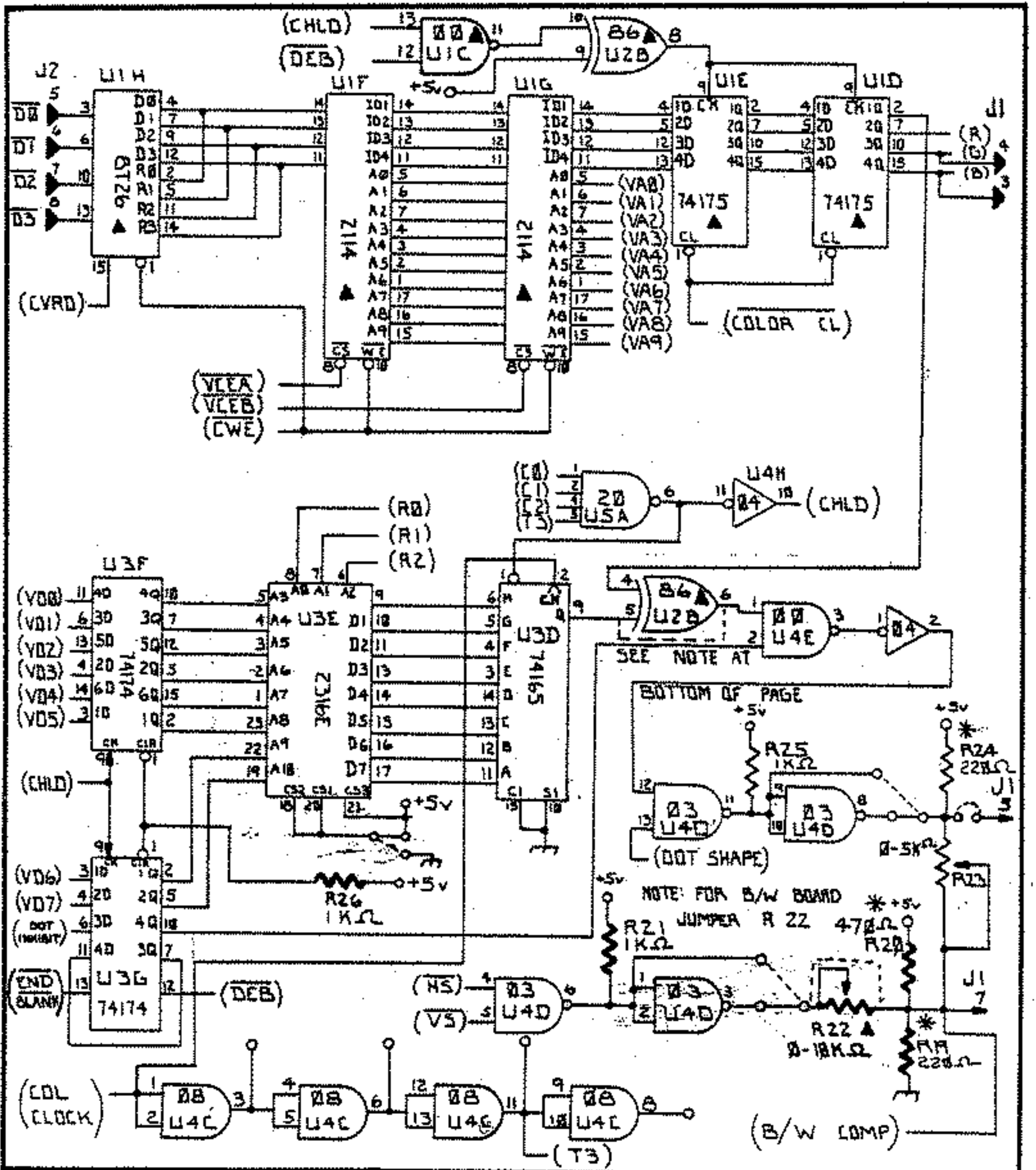
revision

page

status

sheet 4 of 8

DRAWN ~ J.L.K.

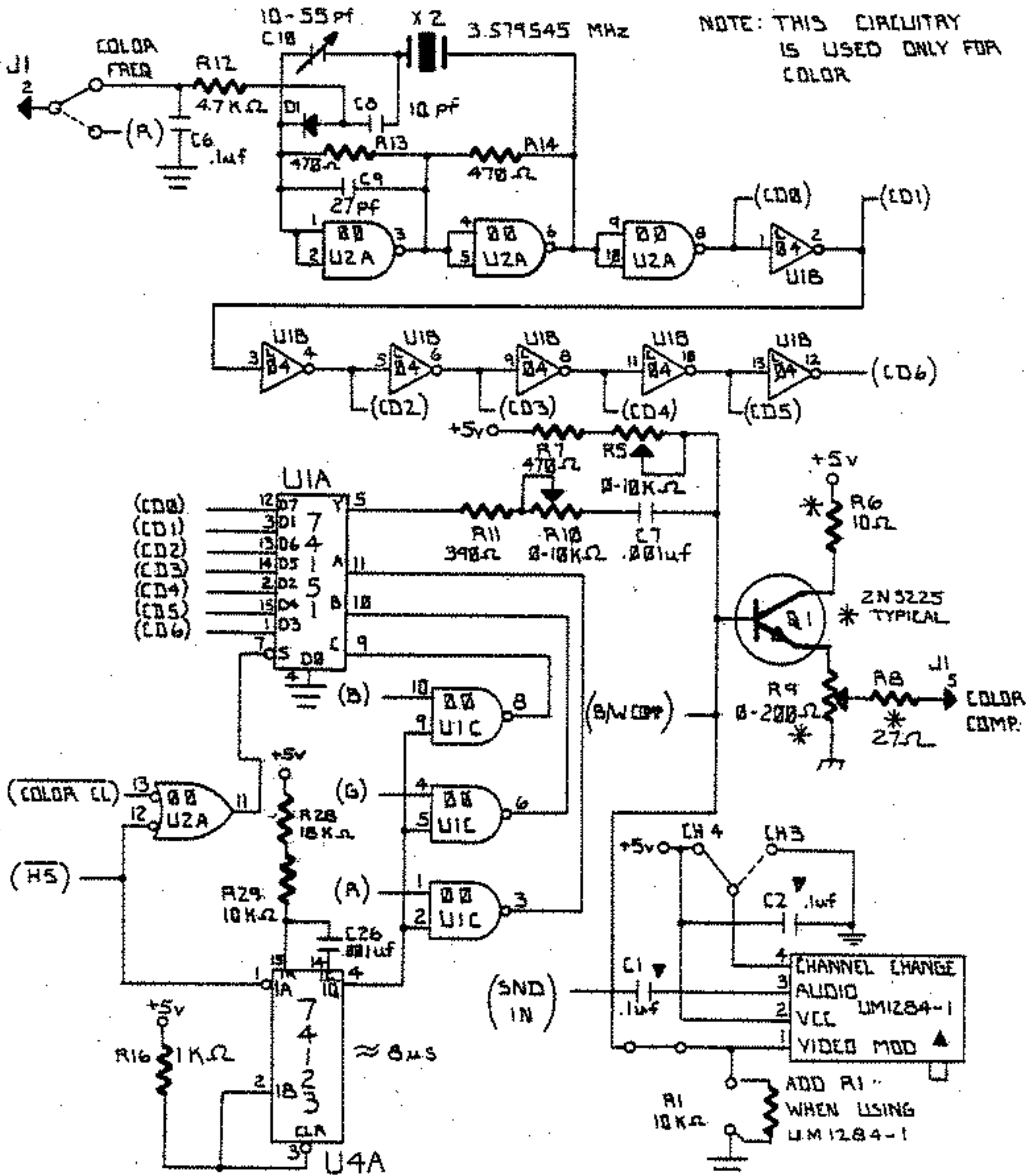


OHIO SCIENTIFIC

product name/number
 MODEL 540 REV B-1
 COLOR MEMORY + CHARACTER OUTPUT

date 15 AUG 1979 DRAWN ~ J.L.K.	revision	page	status	sheet 5 of 8
------------------------------------	----------	------	--------	--------------

NOTE: FOR B/W BOARD, DELETE COMPONENTS DENOTED WITH * AND JUMPER U2B PIN 5 TO PIN 6
 FOR COLOR BOARD, DELETE COMPONENTS DENOTED WITH *.

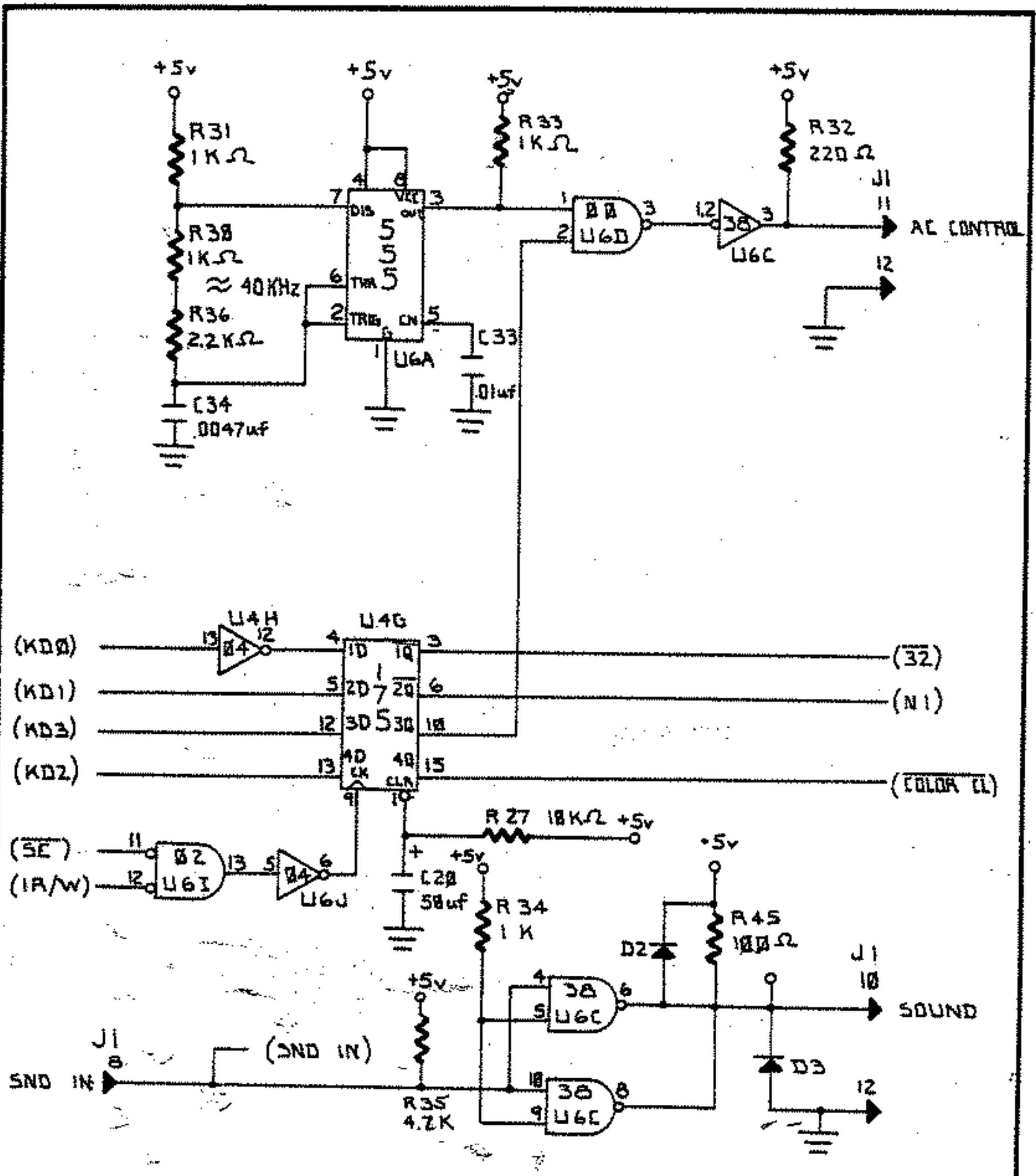


OHIO SCIENTIFIC

product name/number
MODEL 540 REV B-1
COLOR OUTPUT

date 15 AUG 1979	revision	page	status	sheet 6 of 8
DRAWN ~ J.L.K.				

NOTE: DELETE COMPONENTS DENOTED WITH ▲ WHEN USING UHF CONVERTER
DELETE COMPONENTS DENOTED WITH * WHEN USING VHF MODULATOR



OHIO SCIENTIFIC

product name/number

MODEL 540 REV B-1

A.C. CONTROL

date 15 AUG 1979

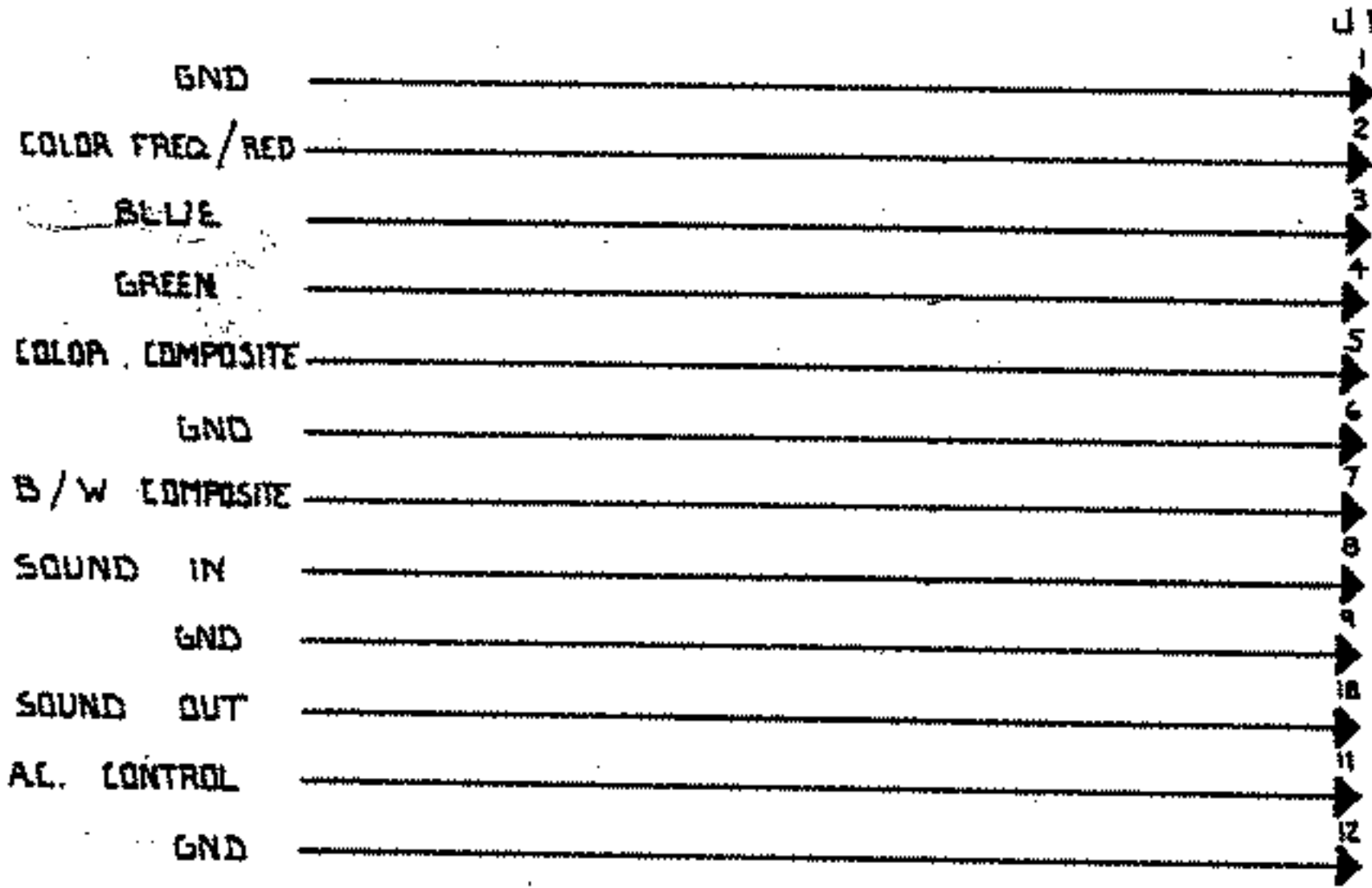
revision

page

status

sheet 7 of 8

DRAWN ~ J.L.K.



NOTE: ALL DIODES ARE TYPICAL 1N914

OHIO SCIENTIFIC

product name/number

MODEL 540 REV B-1
OUTPUT CONNECTOR

date 15-AUG-1979
DRAWN ~ J.L.K.

revision

page

status

sheet 8 of 8