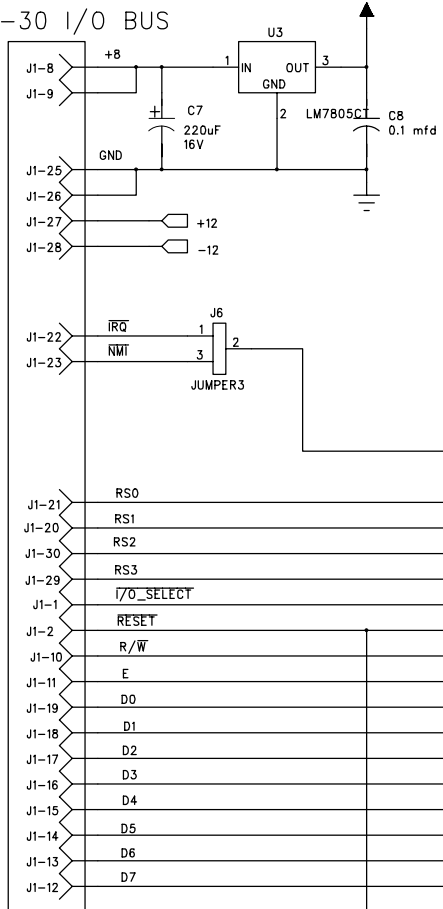
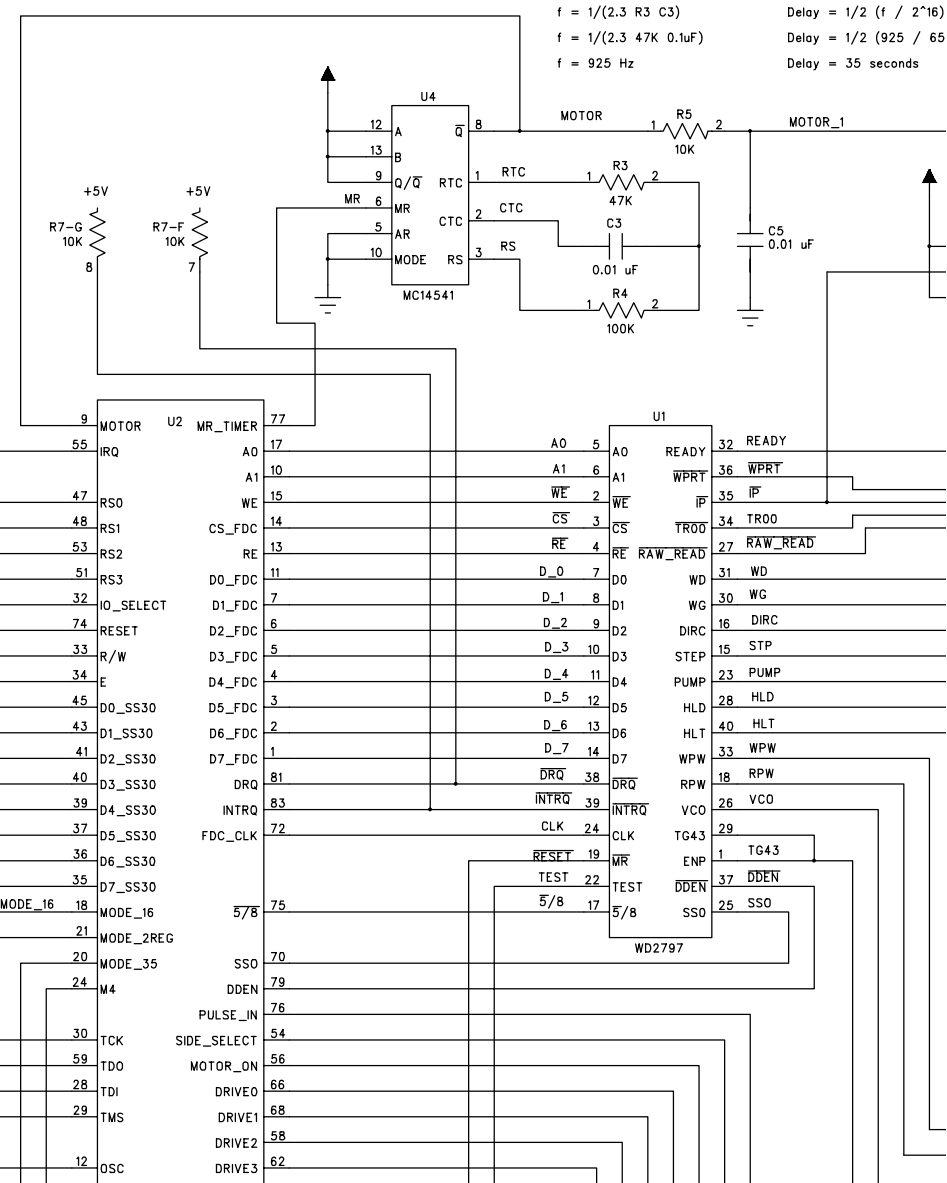


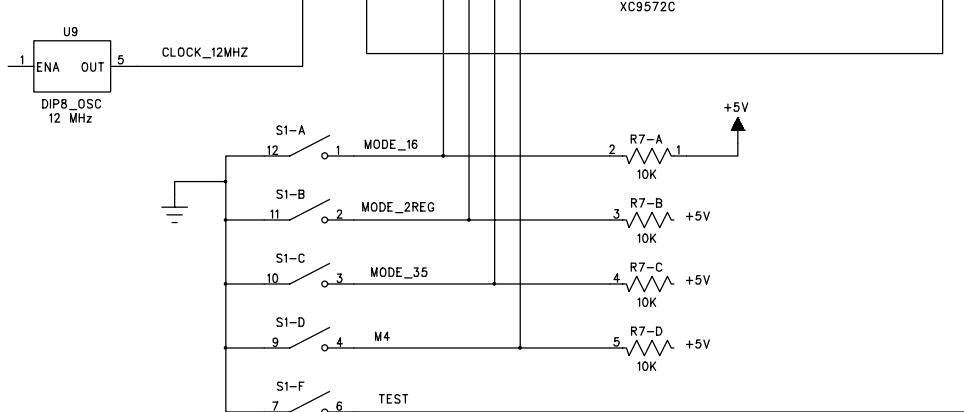
### SS-30 I/O BUS



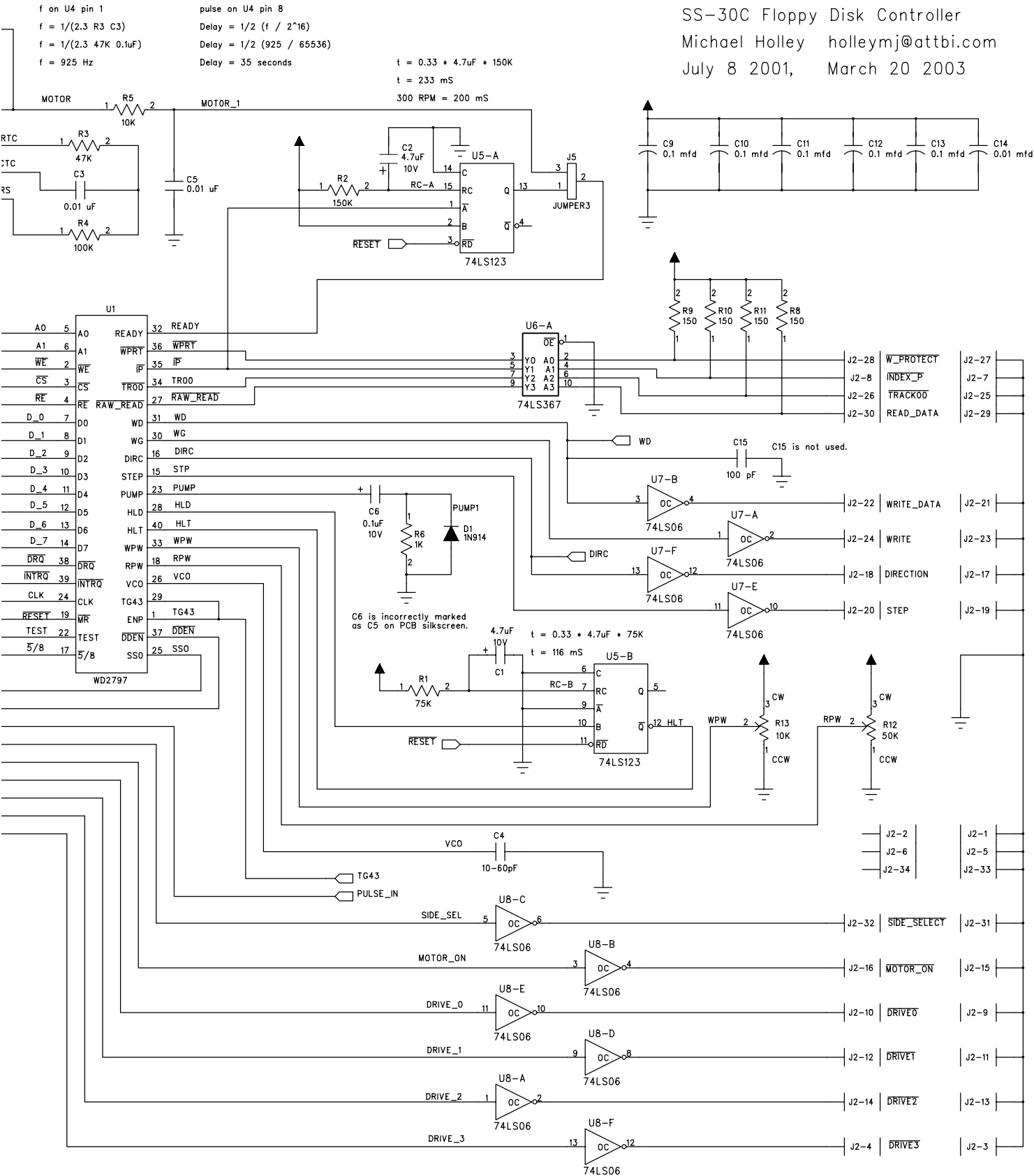
f on U4 pin 1  
 pulse on U4 pin 8  
 $f = 1/(2.3 R3 C3)$   
 $f = 1/(2.3 47K 0.01\mu F)$   
 $f = 925 \text{ Hz}$   
 Delay =  $1/2 (f / 2^{16})$   
 Delay =  $1/2 (925 / 65)$   
 Delay = 35 seconds



### JTAG Programming



SS-30C Floppy Disk Controller  
 Michael Holley holleymj@attbi.com  
 July 8 2001, March 20 2003



f on U4 pin 1  
 $f = 1/(2.3 R3 C3)$   
 $f = 1/(2.3 47K 0.1\mu F)$   
 $f = 925 \text{ Hz}$

pulse on U4 pin 8  
 Delay =  $1/2 (t / 2^{16})$   
 Delay =  $1/2 (925 / 65536)$   
 Delay = 35 seconds

$t = 0.33 * 4.7\mu F * 150K$   
 $t = 233 \text{ ms}$   
 300 RPM = 200 ms

$t = 0.33 * 4.7\mu F * 75K$   
 $t = 116 \text{ ms}$

C6 is incorrectly marked as C5 on PCB silkscreen.

C15 is not used.

# SS-30C Floppy Disk Controller

Michael Holley

Optional Parts

